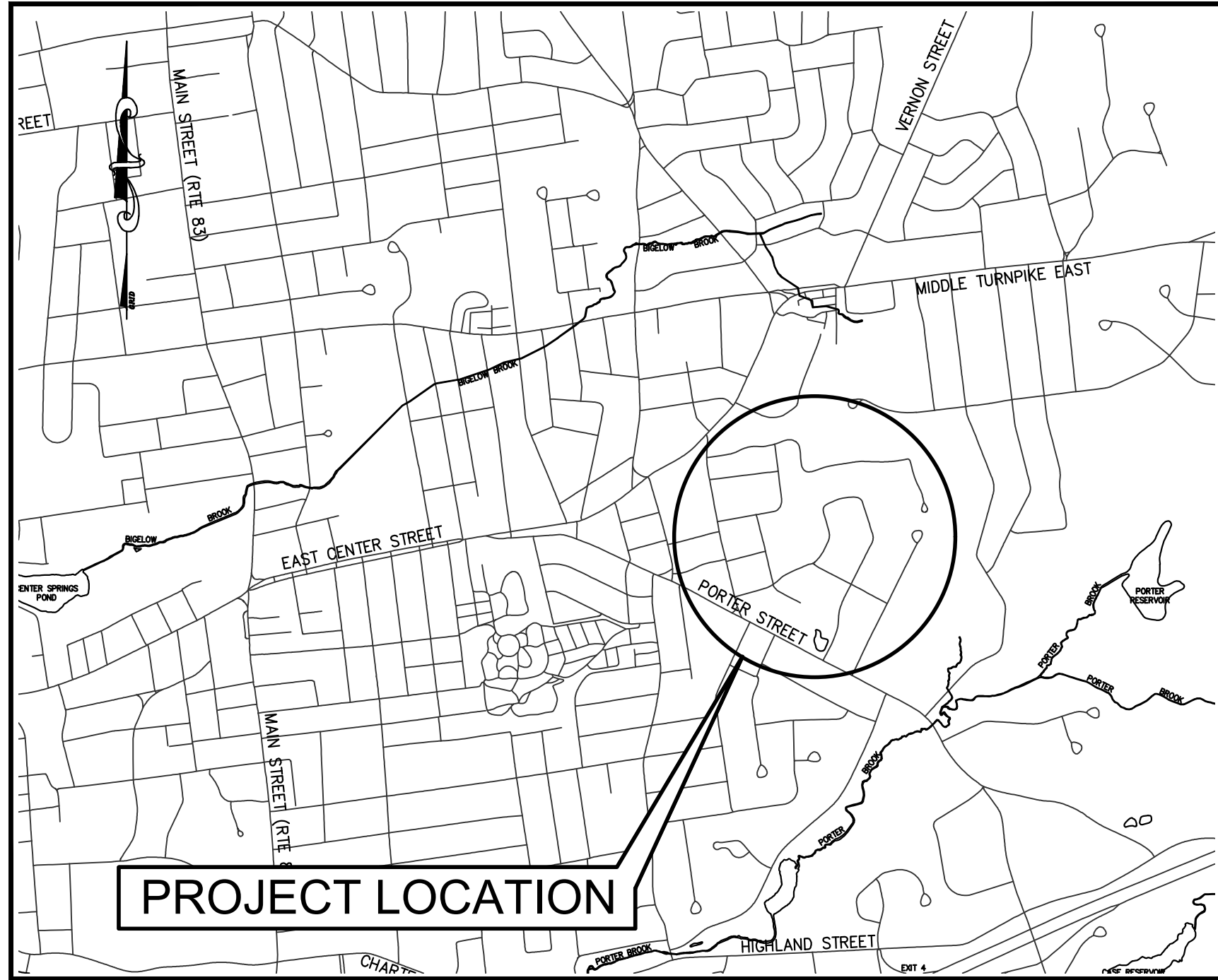


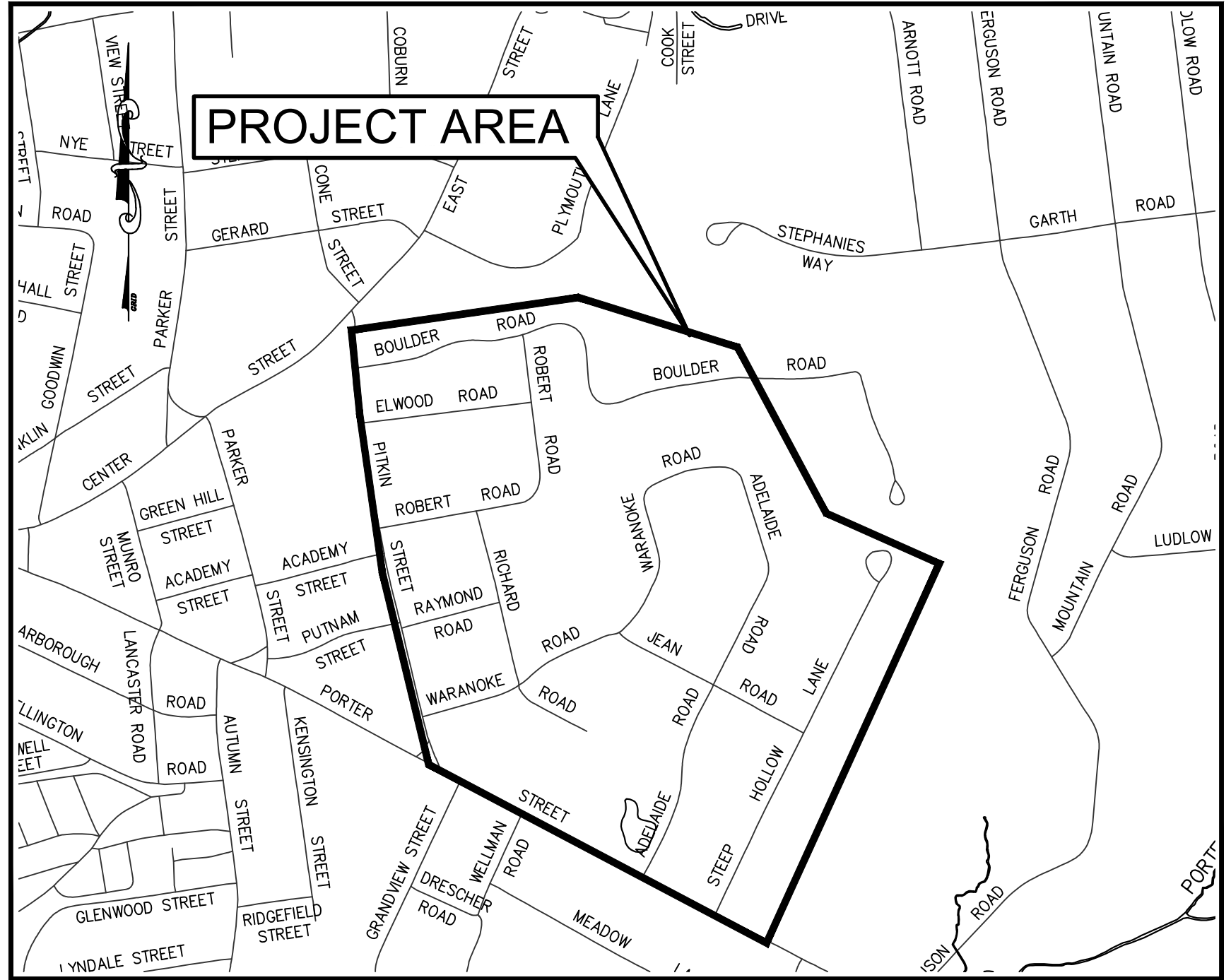
# TOWN OF MANCHESTER

## PUBLIC WORKS DEPARTMENT

### ENGINEERING DIVISION



LOCATION MAP  
1" = 1500'



SITE MAP  
1" = 600'

# ROBERT ROAD NEIGHBORHOOD IMPROVEMENTS

JUNE 2022

LIST OF DRAWINGS	
SHEET NO.	DESCRIPTION
1	COVER SHEET
2	NOTES AND TYPICAL SECTIONS
3-5	PLAN AND PROFILE - BOULDER ROAD
6	PLAN AND PROFILE - ELWOOD ROAD
7-8	PLAN AND PROFILE - ROBERT ROAD
9-10	PLAN AND PROFILE - RICHARD ROAD
11	PLAN AND PROFILE - RAYMOND ROAD
12-14	PLAN AND PROFILE - WARANOKE ROAD
15-17	PLAN AND PROFILE - ADELAIDE ROAD
18	PLAN AND PROFILE - JEAN ROAD
19-20	PLAN AND PROFILE - STEEP HOLLOW LANE
21	PLAN AND PROFILE - STEEP HOLLOW LN TO BOULDER RD CROSS COUNTRY
22	PLAN - PITKIN STREET
23-27	DETAILS

DESIGN STANDARD : TOWN OF MANCHESTER PUBLIC IMPROVEMENT STANDARDS, EFFECTIVE DATE OCTOBER 31, 2020, AS AMENDED

DATUMS : ALL ELEVATIONS ON THIS PROJECT BASED ON THE TOWN OF MANCHESTER CONTROL NETWORK.  
HORIZONTAL CONTROL BASED ON THE TOWN OF MANCHESTER CONTROL NETWORK.

STANDARD SPECIFICATIONS : SEE CONTRACT DOCUMENTS

DESIGN SCALES : PLAN: 1" = 30'  
OTHER SCALES AS NOTED

DESIGNED BY:  
TOWN OF MANCHESTER  
ENGINEERING DIVISION

JEFF LAMALVA  
TOWN ENGINEER  
P.E. NO. 20967





TOWN OF MANCHESTER CONNECTICUT  
 PUBLIC WORKS DEPARTMENT  
 ENGINEERING DIVISION  
 494 MAIN STREET - P.O. BOX 191  
 MANCHESTER, CT 06045-0191

LEGEND

--- WETLANDS BOUNDARY	☆ LIGHT POLE
--- RETAINING WALL	⊗ CONIFEROUS TREE
--- GUEE WALL	⊙ DEODOROUS TREE
--- STONE WALL	⊙ SANITARY MANHOLE
--- STOCKADE FENCE	⊙ DRAINAGE MANHOLE
--- WIRE FENCE	⊙ CATCH BASIN
--- CHAIN LINK FENCE	⊙ CULVERT END
--- PROPERTY LINE	⊙ HYDRANT
--- RAILROAD TRACKS	⊙ CURB STOP
--- SILT FENCE	⊙ WATER VALVE
--- CONCRETE MONUMENT	⊙ BUTTERFLY VALVE
--- GRANITE MONUMENT	⊙ BLOW OFF
--- IRON PIPE	⊙ SIGN
--- IRON ROD	⊙ DOUBLE POST SIGN
--- CONTROL POINT	⊙ MAIL BOX
--- DRILL HOLE	⊙ BOLLARD
--- UTILITY POLE	⊙ CONTROLLER CABINET
--- UTILITY POLE WITH LIGHT	⊙ GAS GATE
--- TRAFFIC SPAN POLE	⊙ TELEPHONE BOX
--- ELECTRIC BOX	⊙ CATV TUBE

PROJECT NUMBER  
 2020109

FILENAME  
 2020109-PLAN.DWG

NO.	DATE	FILE
-	06/14/22	FOR BIDDING

DRAWN BY: JL  
 CHECKED BY: KT  
 RELEASED BY: PK

DRAWING SCALE  
 HORIZONTAL: 1" = 30'  
 VERTICAL: 1" = 3'  
 OR AS NOTED

GRAPHIC SCALE

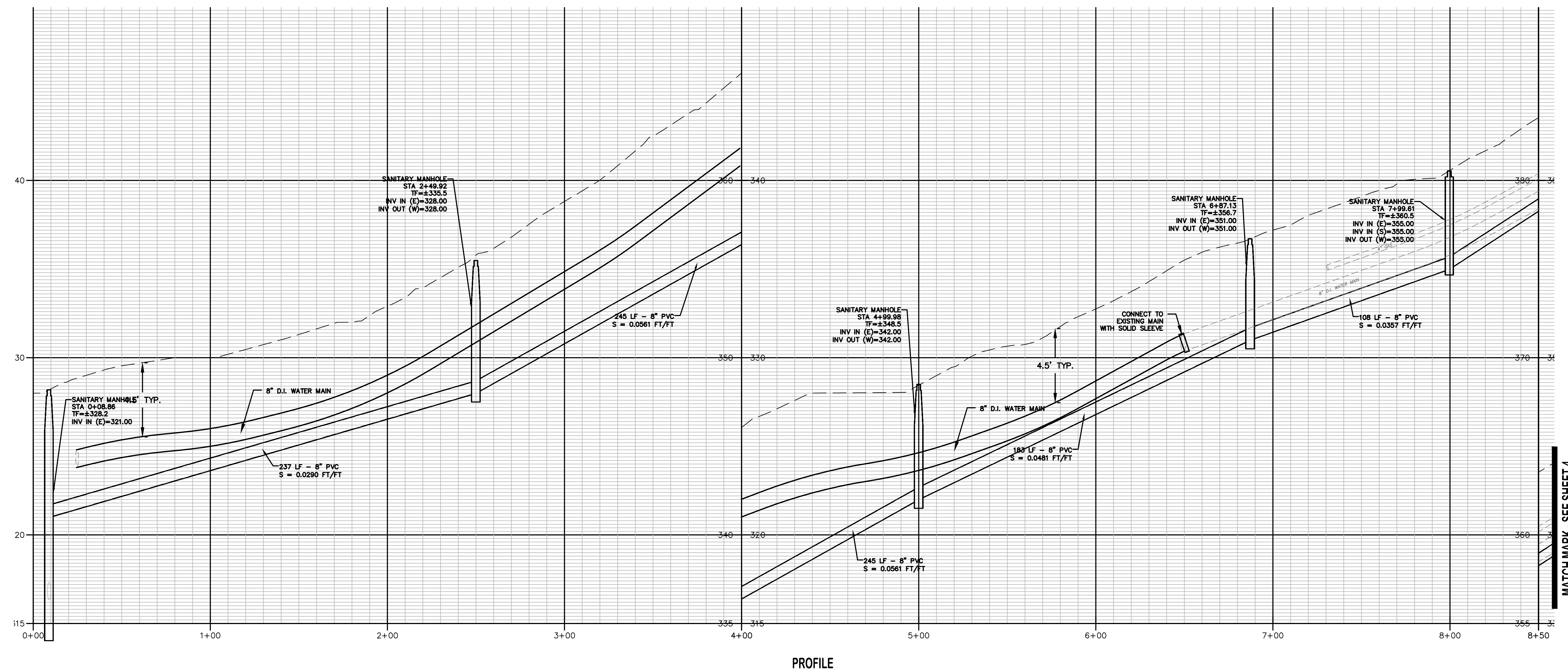
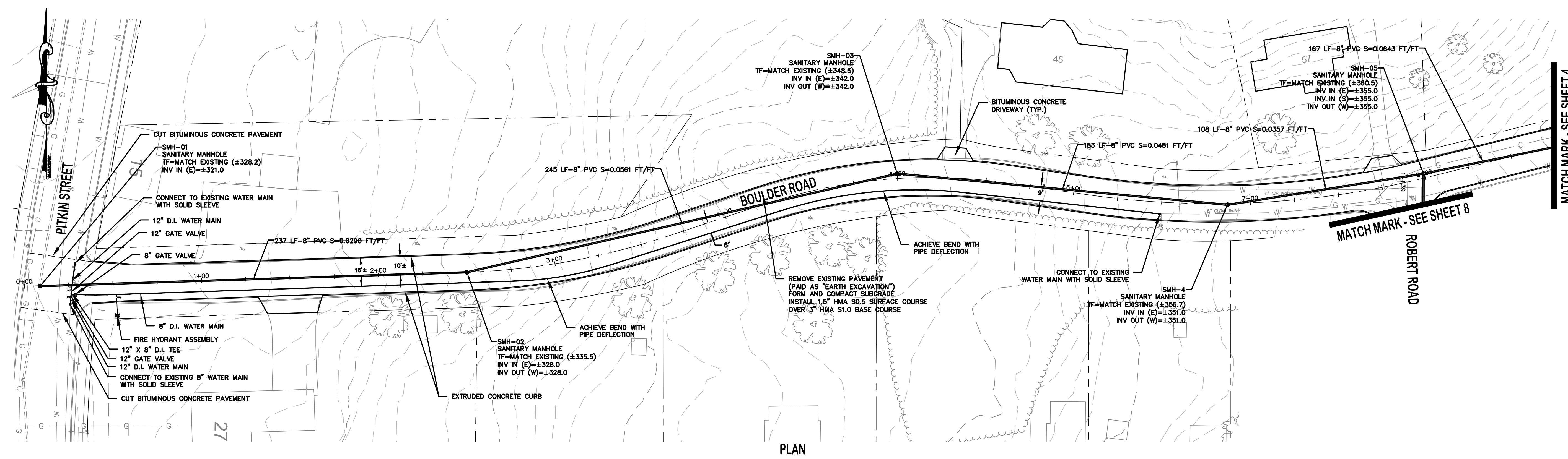
DATUM  
 HORIZONTAL: NAD83 VERTICAL: NAVD88

PROJECT LOCATION  
 BOULDER RD WARANOKE RD  
 RICHARD RD ADELAIDE RD  
 ELWOOD RD JEAN RD  
 ROBERT RD STEEP HOLLOW LN  
 RAYMOND RD

PROJECT TITLE  
**ROBERT ROAD  
 NEIGHBORHOOD  
 IMPROVEMENTS**

SHEET TITLE  
**PLAN AND PROFILE  
 BOULDER ROAD**  
 STA 0+00 TO 8+50

SHEET NUMBER  
**3 of 27**



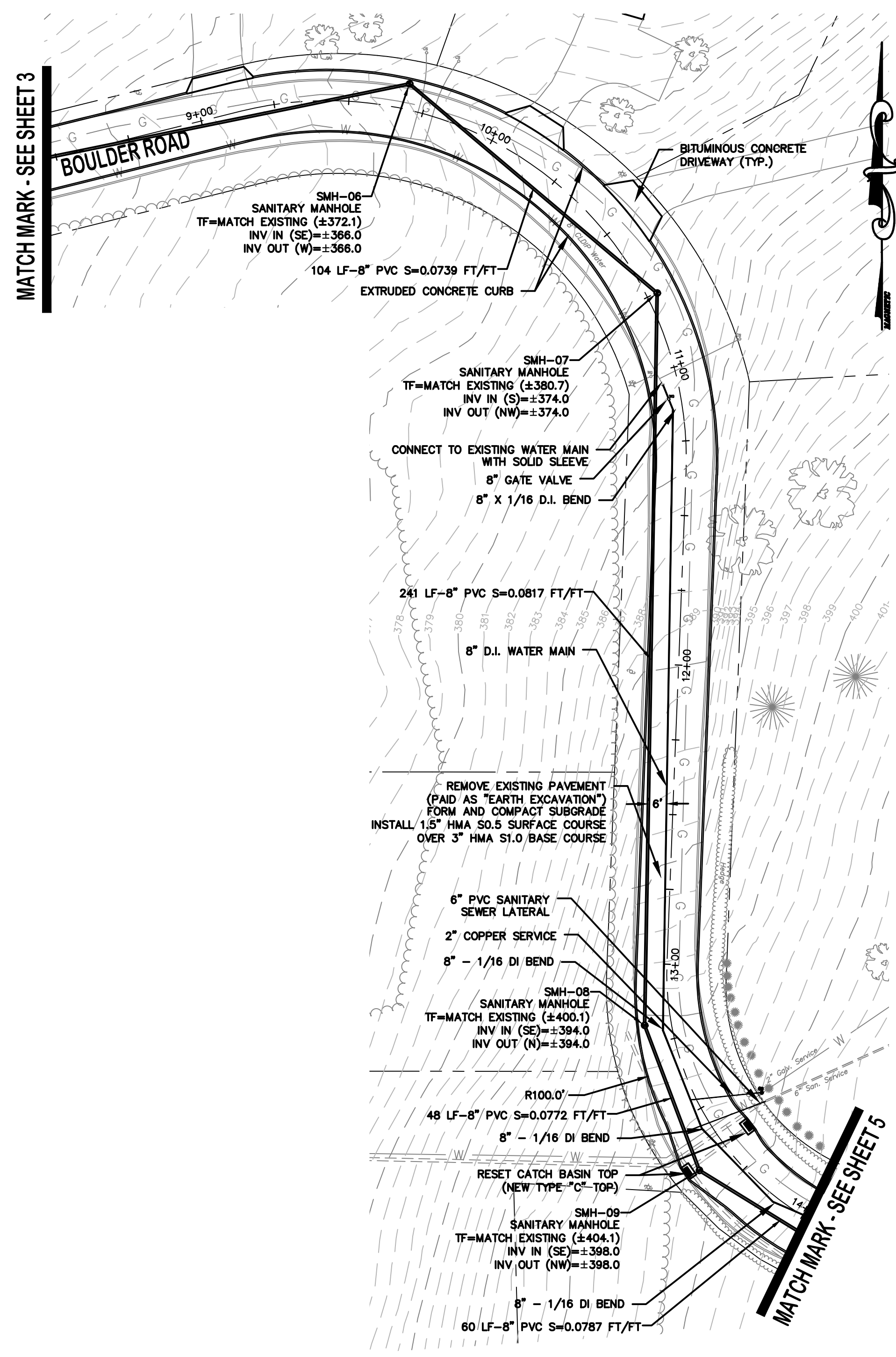
MATCH MARK - SEE SHEET 4

MATCH MARK - SEE SHEET 8

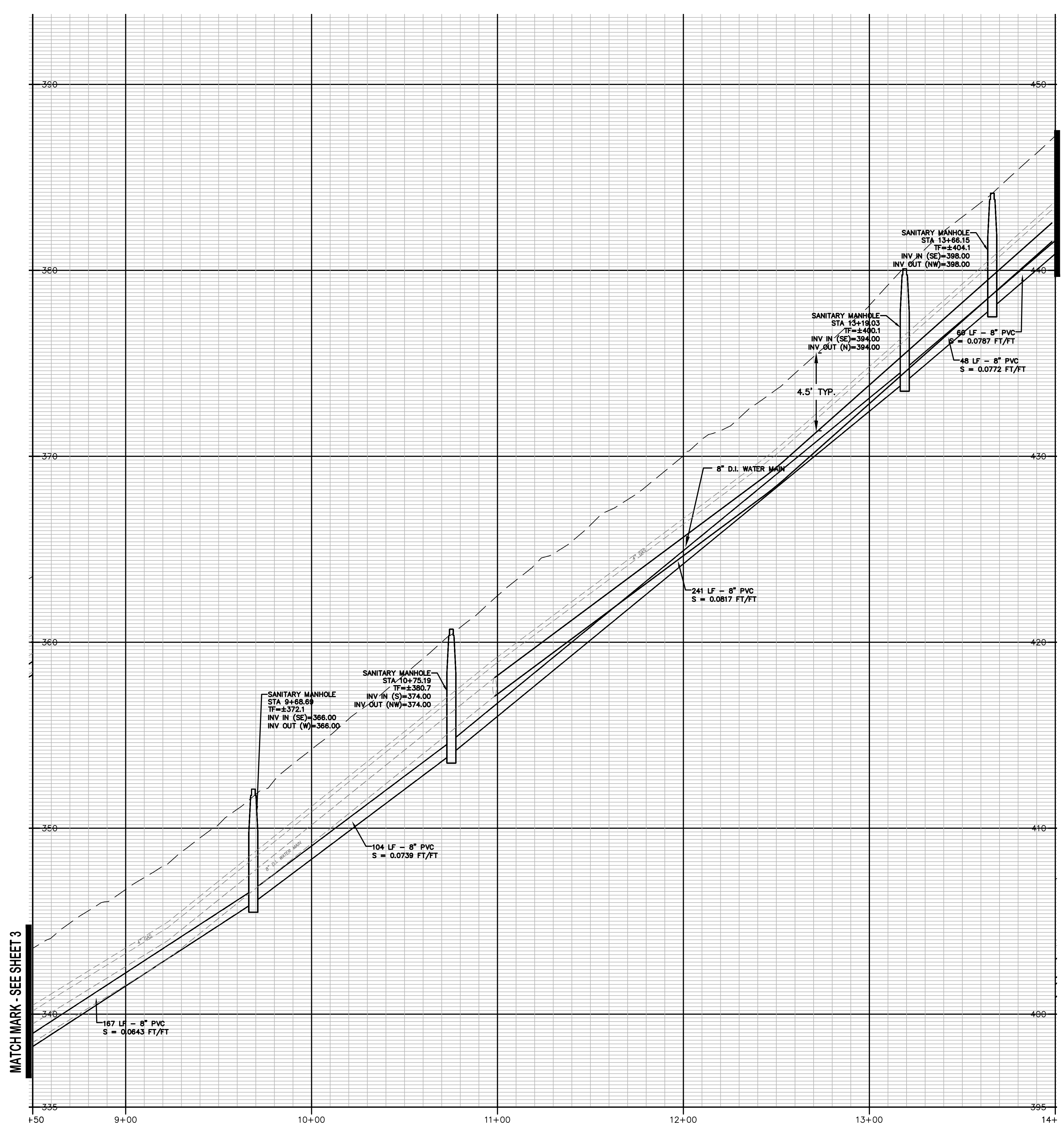
MATCH MARK - SEE SHEET 4

PLAN

PROFILE



PLAN



PROFILE



TOWN OF MANCHESTER  
PUBLIC WORKS DEPARTMENT  
ENGINEERING DIVISION  
494 MAIN STREET - P.O. BOX 191  
MANCHESTER, CT 06045-0191

LEGEND

---	WETLANDS BOUNDARY	☆	LIGHT POLE
---	RETAINING WALL	⊗	CONIFEROUS TREE
---	GRASS HAIL	⊙	DECIDUOUS TREE
---	STONE WALL	⊕	SANITARY MANHOLE
---	STOCKADE FENCE	⊖	DRAINAGE MANHOLE
---	WIRE FENCE	⊗	CATCH BASIN
---	CHAIN LINK FENCE	⊕	CULVERT END
---	PROPERTY LINE	⊖	HYDRANT
---	RAILROAD TRACKS	⊗	CURB STOP
---	SILT FENCE	⊕	WATER VALVE
---	CONCRETE MONUMENT	⊖	BUTTERFLY VALVE
---	GRANITE MONUMENT	⊗	BLOW OFF
---	IRON PIPE	⊕	SIGN
---	IRON ROD	⊖	DOUBLE POST SIGN
---	CONTROL POINT	⊗	MAIL BOX
---	DRILL HOLE	⊕	BOLLARD
---	UTILITY POLE	⊖	CONTROLLER CABINET
---	UTILITY POLE WITH LIGHT	⊗	GAS GATE
---	TRAFFIC SPAN POLE	⊕	TELEPHONE BOX
---	ELECTRIC BOX	⊖	WETLAND FLAG
---	WETLAND FLAG	⊗	CATV TUBE

PROJECT NUMBER  
2020109

FILENAME  
2020109-PLAN.DWG

NO.	DATE	FILE
-	06/14/22	FOR BIDDING

DRAWN BY: JL  
CHECKED BY: KT  
RELEASED BY: PK

DRAWING SCALE  
HORIZONTAL: 1" = 30'  
VERTICAL: 1" = 3'  
OR AS NOTED  
30 15 0 30  
GRAPHIC SCALE

DATUM  
HORIZONTAL: NAD83 VERTICAL: NAVD88

PROJECT LOCATION  
BOULDER RD WARANOKE RD  
RICHARD RD ADELAIDE RD  
ELWOOD RD JEAN RD  
ROBERT RD STEEP HOLLOW LN  
RAYMOND RD

PROJECT TITLE  
**ROBERT ROAD  
NEIGHBORHOOD  
IMPROVEMENTS**

SHEET TITLE  
**PLAN AND PROFILE  
BOULDER ROAD**  
STA 8+50 TO 14+00

SHEET NUMBER  
**4 of 27**



TOWN OF MANCHESTER CONNECTICUT SEAL

TOWN OF MANCHESTER  
PUBLIC WORKS DEPARTMENT  
ENGINEERING DIVISION

494 MAIN STREET - P.O. BOX 191  
MANCHESTER, CT 06045-0191

LEGEND

- WETLAND BOUNDARY
- RETAINING WALL
- EXIST. WALL
- STONE WALL
- STOCKADE FENCE
- WIRE FENCE
- CHAIN LINK FENCE
- PROPERTY LINE
- RAILROAD TRACKS
- SILT FENCE
- CONCRETE MONUMENT
- GRANITE MONUMENT
- IRON PIPE
- IRON ROD
- CONTROL POINT
- DRILL HOLE
- UTILITY POLE
- UTILITY POLE WITH LIGHT
- TRAFFIC SPAN POLE
- ELECTRIC BOX
- WETLAND FLAG
- ☆ LIGHT POLE
- ⊙ CONIFEROUS TREE
- ⊙ DEODOROUS TREE
- ⊙ SANITARY MANHOLE
- ⊙ DRAINAGE MANHOLE
- ⊙ CATCH BASIN
- ⊙ CULVERT END
- ⊙ HYDRANT
- ⊙ CURB STOP
- ⊙ WATER VALVE
- ⊙ BUTTERFLY VALVE
- ⊙ BLOW OFF
- ⊙ SIGN
- ⊙ DOUBLE POST SIGN
- ⊙ MAIL BOX
- ⊙ BOLLARD
- ⊙ CONTROLLER CABINET
- ⊙ GAS GATE
- ⊙ TELEPHONE BOX
- ⊙ CATV TUBE

PROJECT NUMBER  
2020109

FILENAME  
2020109-PLAN.DWG

NO.	DATE	FILE
-	06/14/22	FOR BIDDING

DRAWN BY: JL  
CHECKED BY: KT  
RELEASED BY: PK

DRAWING SCALE  
HORIZONTAL: 1" = 30'  
VERTICAL: 1" = 3'  
OR AS NOTED

30 15 0 30

GRAPHIC SCALE

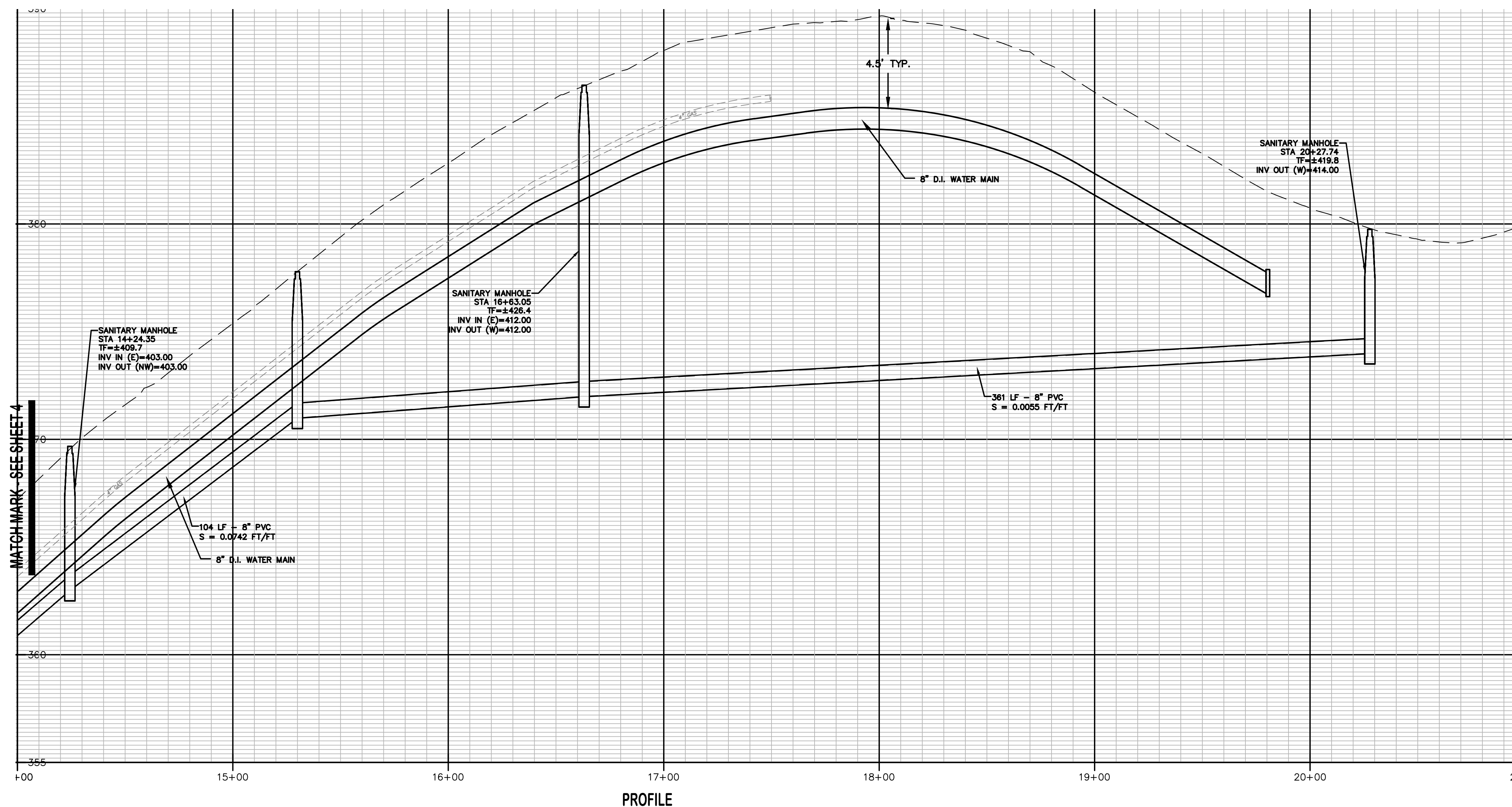
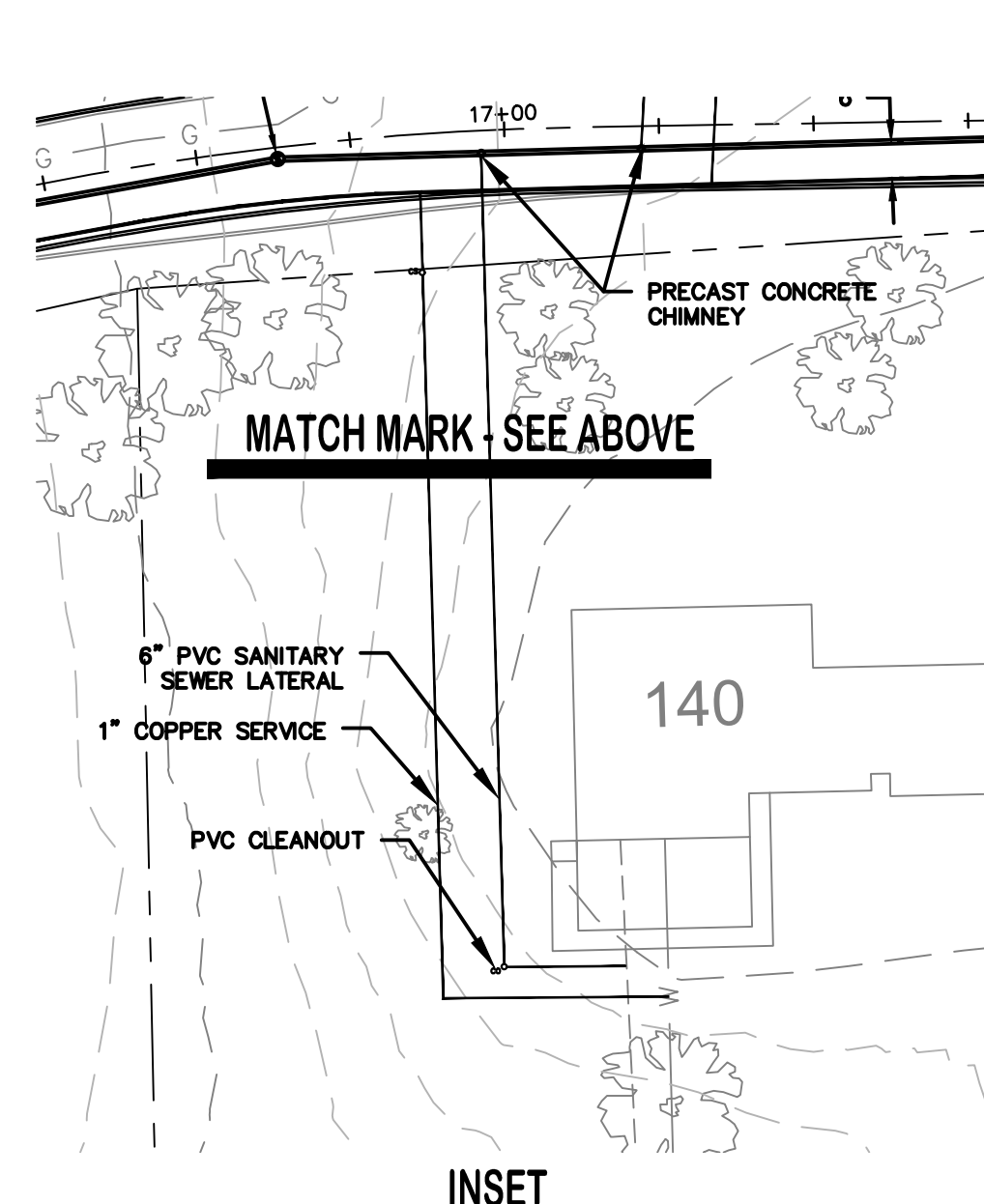
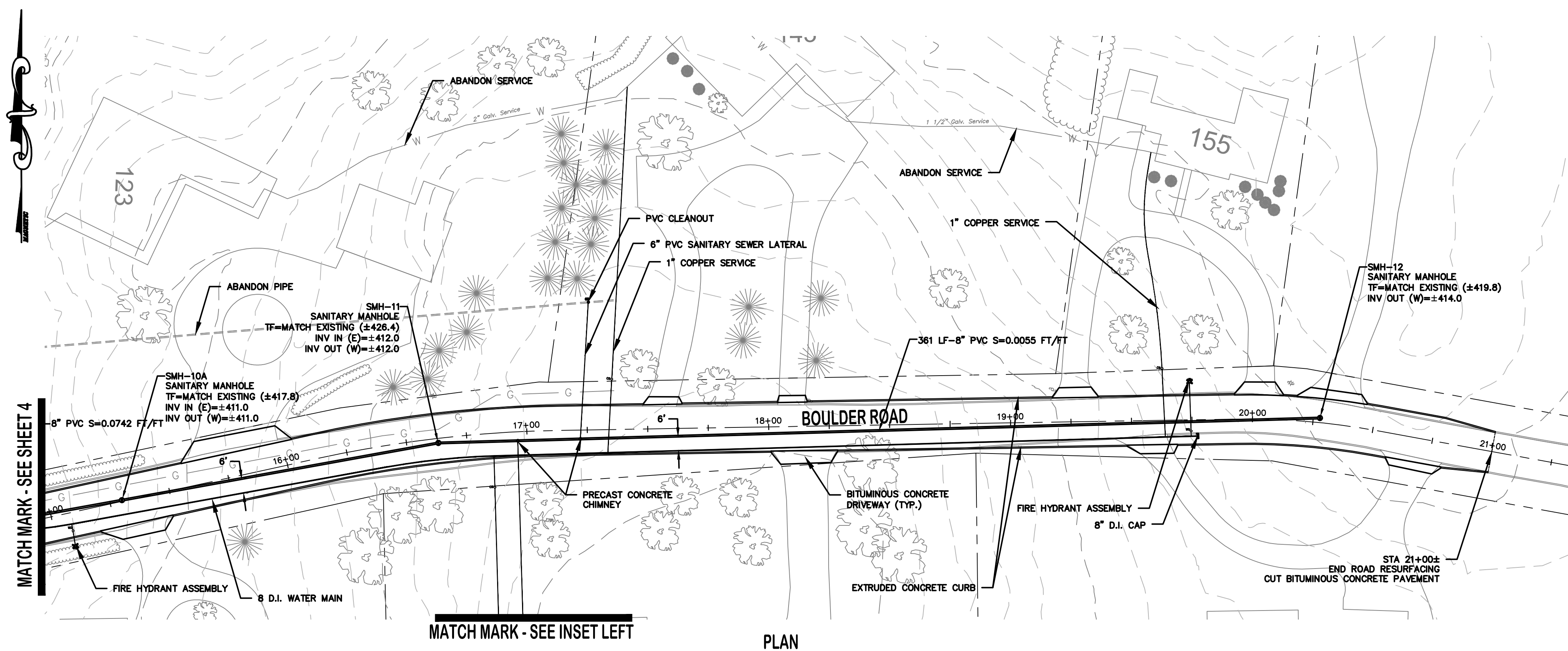
DATUM  
HORIZONTAL: NAD83 VERTICAL: NAVD88

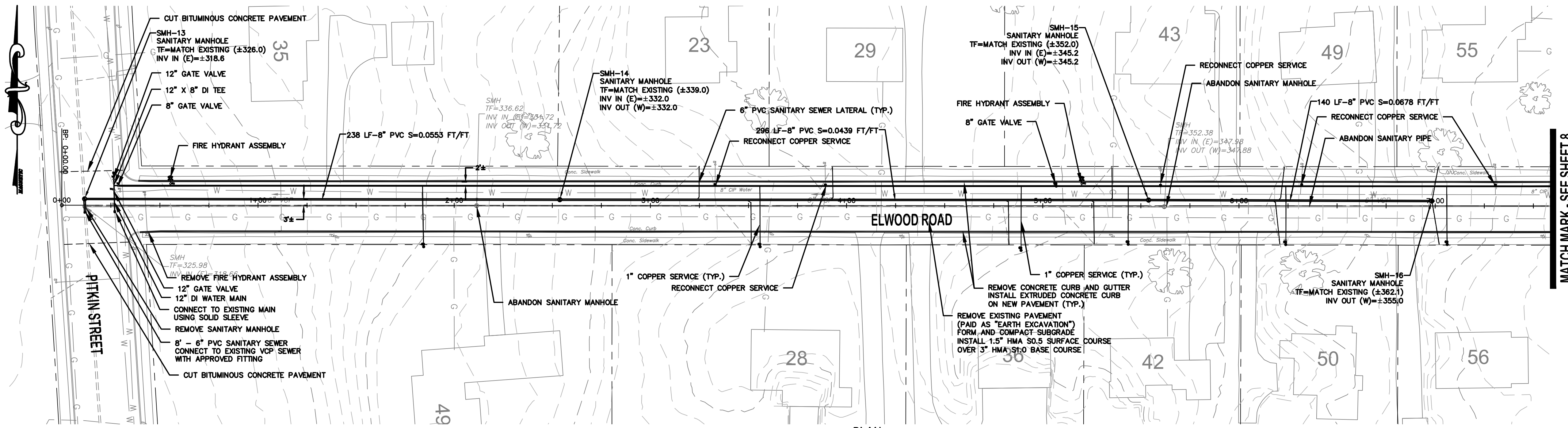
PROJECT LOCATION  
BOULDER RD WARANOKE RD  
RICHARD RD ADELAIDE RD  
ELWOOD RD JEAN RD  
ROBERT RD STEEP HOLLOW LN  
RAYMOND RD

PROJECT TITLE  
**ROBERT ROAD  
NEIGHBORHOOD  
IMPROVEMENTS**

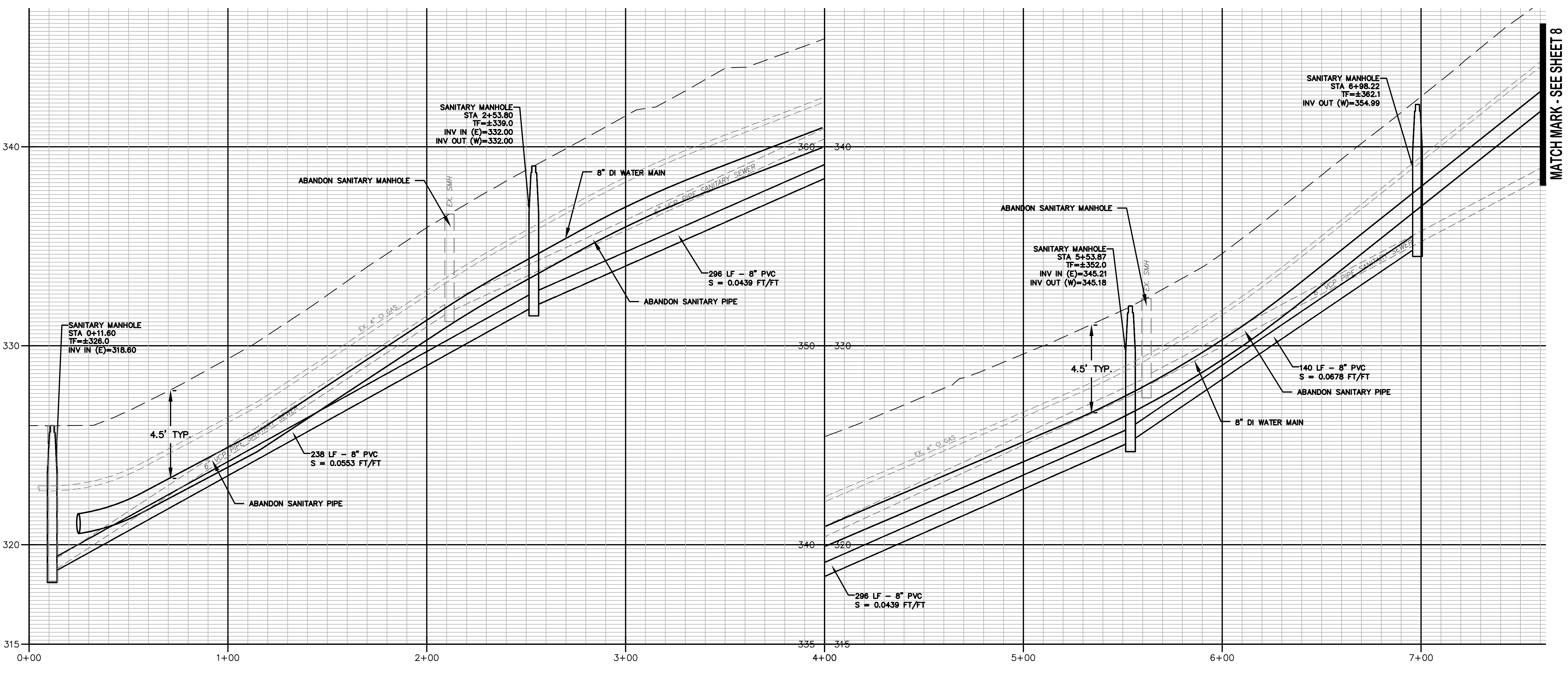
SHEET TITLE  
**PLAN AND PROFILE  
BOULDER ROAD**  
STA 14+00 TO 21+00

SHEET NUMBER  
**5 of 27**





PLAN



PROFILE



TOWN OF MANCHESTER  
 PUBLIC WORKS DEPARTMENT  
 ENGINEERING DIVISION  
 494 MAIN STREET - P.O. BOX 191  
 MANCHESTER, CT 06045-0191

LEGEND

—	WETLANDS BOUNDARY	☆	LIGHT POLE
—	RETAINING WALL	⊗	CONIFEROUS TREE
—	GRADE WALL	⊙	DECIDUOUS TREE
—	STONE WALL	⊕	SANITARY MANHOLE
—	STOCKADE FENCE	⊖	DRAINAGE MANHOLE
—	WIRE FENCE	⊗	CATCH BASIN
—	CHAIN LINK FENCE	⊙	CULVERT END
—	PROPERTY LINE	⊖	HYDRANT
—	RAILROAD TRACKS	⊗	CURB STOP
—	SILT FENCE	⊙	WATER VALVE
—	CONCRETE MONUMENT	⊖	BUTTERFLY VALVE
—	GRANITE MONUMENT	⊙	BLOW OFF
—	IRON PIPE	⊖	SIGN
—	IRON ROD	⊙	DOUBLE POST SIGN
—	CONTROL POINT	⊖	MAIL BOX
—	DRILL HOLE	⊙	BOLLARD
—	UTILITY POLE	⊖	CONTROLLER CABINET
—	UTILITY POLE WITH LIGHT	⊙	GAS GATE
—	TRAFFIC SPAN POLE	⊖	TELEPHONE BOX
—	ELECTRIC BOX	⊙	CATV TUBE
—	WETLAND FLAG	⊖	

PROJECT NUMBER  
 2020109

FILENAME  
 2020109-PLAN.DWG

NO.	DATE	FILE
—	06/14/22	FOR BIDDING

DRAWN BY: JL  
 CHECKED BY: KT  
 RELEASED BY: PK

DRAWING SCALE  
 HORIZONTAL: 1" = 30'  
 VERTICAL: 1" = 3'  
 OR AS NOTED  
  
 GRAPHIC SCALE

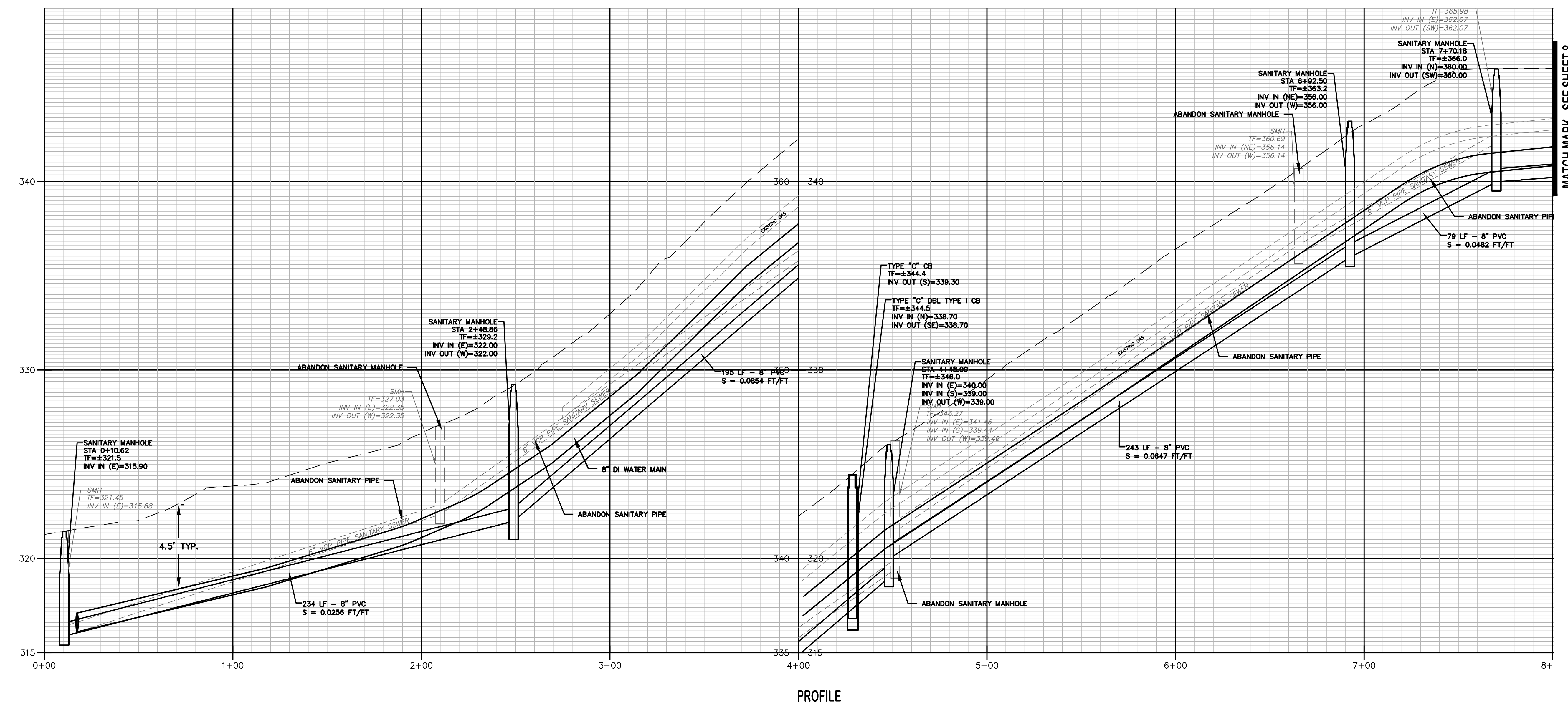
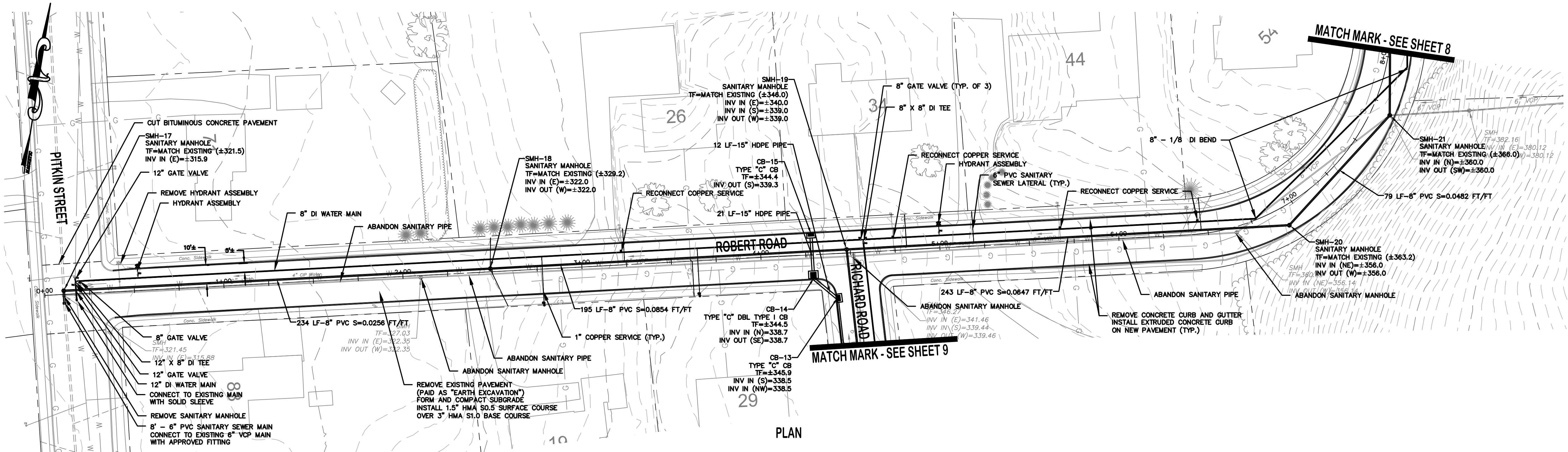
DATUM  
 HORIZONTAL: NAD83 VERTICAL: NAVD88

PROJECT LOCATION  
 BOULDER RD WARANOKE RD  
 RICHARD RD ADELAIDE RD  
 ELWOOD RD JEAN RD  
 ROBERT RD STEEP HOLLOW LN  
 RAYMOND RD

PROJECT TITLE  
**ROBERT ROAD  
 NEIGHBORHOOD  
 IMPROVEMENTS**

SHEET TITLE  
**PLAN AND PROFILE  
 ELWOOD ROAD**

SHEET NUMBER  
**6 of 27**



TOWN OF MANCHESTER CONNECTICUT SEAL

TOWN OF MANCHESTER  
PUBLIC WORKS DEPARTMENT  
ENGINEERING DIVISION  
494 MAIN STREET - P.O. BOX 191  
MANCHESTER, CT 06045-0191

**LEGEND**

—	WETLAND BOUNDARY	☆	LIGHT POLE
—	RETAINING WALL	⊗	CONIFEROUS TREE
—	CURB WALL	⊙	DECIDUOUS TREE
—	STONE WALL	⊗	SANITARY MANHOLE
—	STOCKADE FENCE	⊗	DRAINAGE MANHOLE
—	WIRE FENCE	⊗	CATCH BASIN
—	CHAIN LINK FENCE	⊗	CULVERT END
—	PROPERTY LINE	⊗	HYDRANT
—	RAILROAD TRACKS	⊗	CURB STOP
—	SILT FENCE	⊗	WATER VALVE
—	CONCRETE MONUMENT	⊗	BUTTERFLY VALVE
—	GRANITE MONUMENT	⊗	BLOW OFF
—	IRON PIPE	⊗	SIGN
—	IRON ROD	⊗	DOUBLE POST SIGN
—	CONTROL POINT	⊗	MAIL BOX
—	DRILL HOLE	⊗	ROLLARD
—	UTILITY POLE	⊗	CONTROLLER CABINET
—	UTILITY POLE WITH LIGHT	⊗	GAS GATE
—	TRAFFIC SPAN POLE	⊗	TELEPHONE BOX
—	ELECTRIC BOX	⊗	WETLAND FLAG
—	WETLAND FLAG	⊗	CATY TUBE

PROJECT NUMBER  
**2020109**

FILENAME  
**2020109-PLAN.DWG**

NO.	DATE	FILE
—	06/14/22	FOR BIDDING

DRAWN BY: JL  
CHECKED BY: KT  
RELEASED BY: PK

DRAWING SCALE  
HORIZONTAL: 1" = 30'  
VERTICAL: 1" = 3'  
OR AS NOTED

30 15 0 30

GRAPHIC SCALE

DATUM  
HORIZONTAL: NAD83 VERTICAL: NAVD88

PROJECT LOCATION

BOULDER RD	WARANOKE RD
RICHARD RD	ADELAIDE RD
ELWOOD RD	JEAN RD
ROBERT RD	STEEP HOLLOW LN
RAYMOND RD	

PROJECT TITLE  
**ROBERT ROAD NEIGHBORHOOD IMPROVEMENTS**

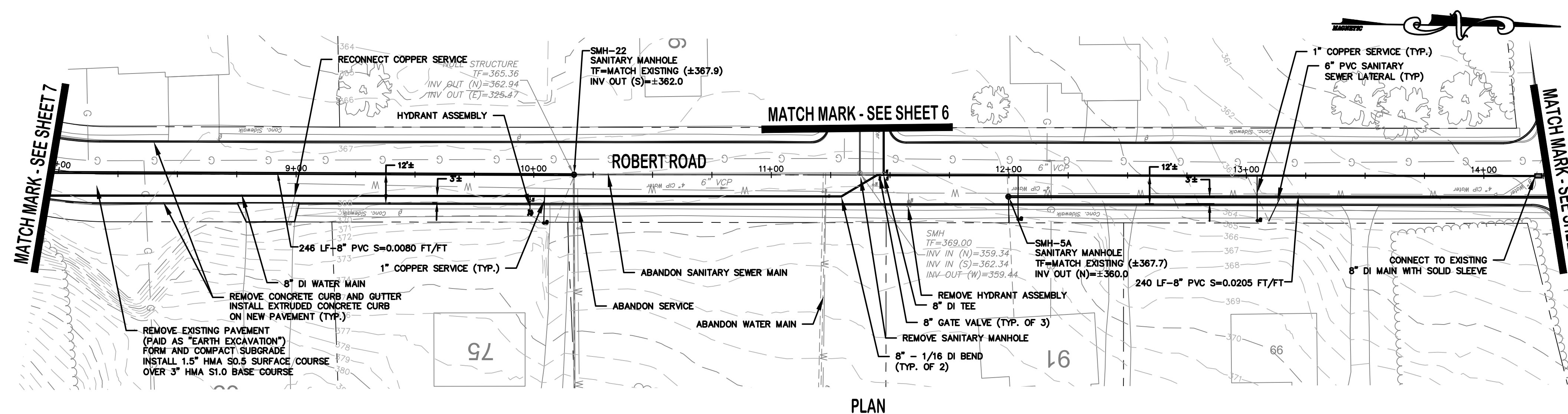
SHEET TITLE  
**PLAN AND PROFILE ROBERT ROAD**  
STA 0+00 TO 8+00

SHEET NUMBER  
**7 of 27**

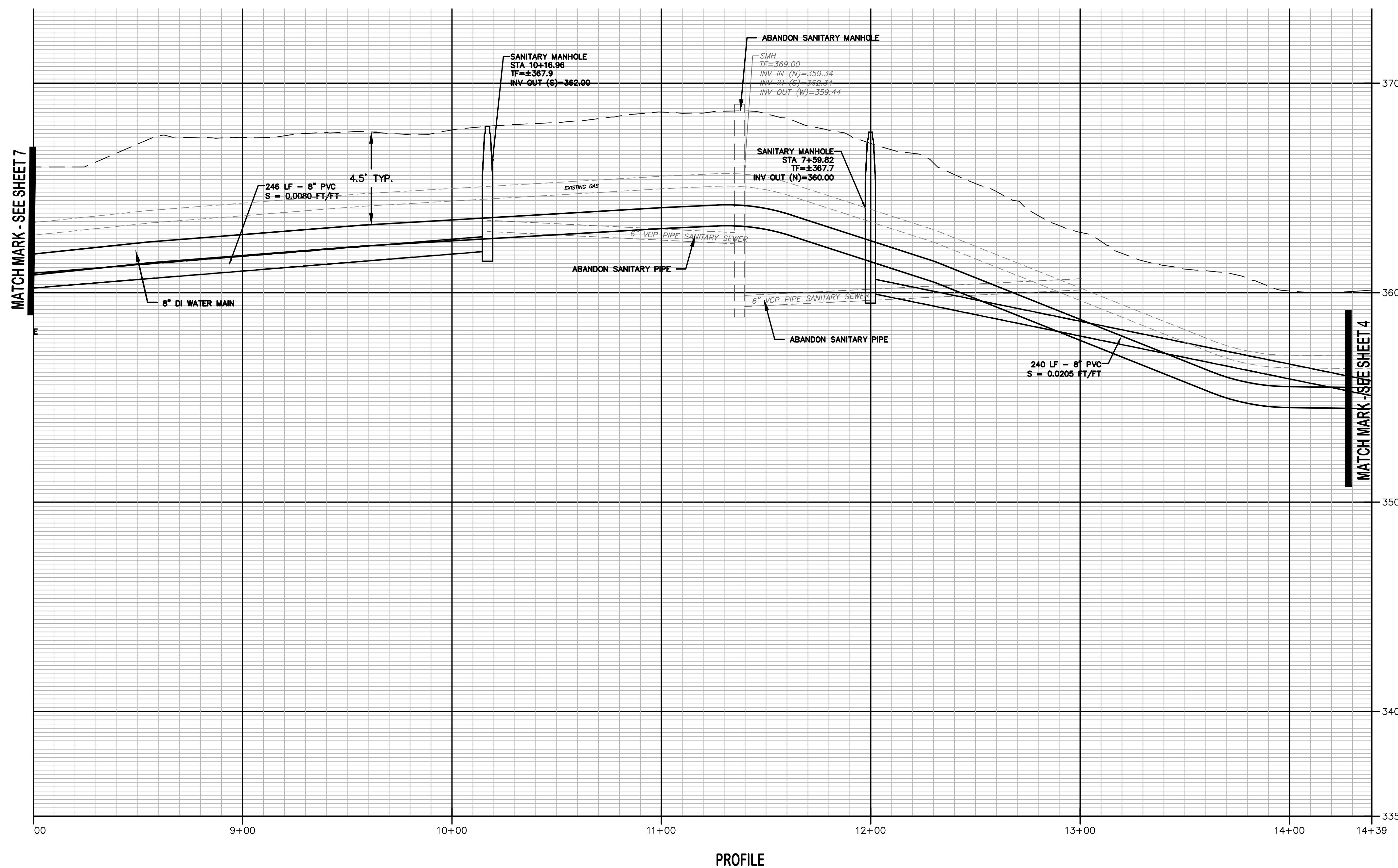


TOWN OF MANCHESTER  
PUBLIC WORKS DEPARTMENT  
ENGINEERING DIVISION

494 MAIN STREET - P.O. BOX 191  
MANCHESTER, CT 06045-0191



PLAN



PROFILE

LEGEND

—	WETLANDS BOUNDARY	☆	LIGHT POLE
—	RETAINING WALL	⊗	CONIFEROUS TREE
—	STONE WALL	⊗	DECIDUOUS TREE
—	STOCKADE FENCE	⊗	SANITARY MANHOLE
—	WIRE FENCE	⊗	DRAINAGE MANHOLE
—	CHAIN LINK FENCE	⊗	CATCH BASIN
—	PROPERTY LINE	⊗	CULVERT END
—	RAILROAD TRACKS	⊗	HYDRANT
—	SILT FENCE	⊗	CURB STOP
—	CONCRETE MONUMENT	⊗	WATER VALVE
—	GRANITE MONUMENT	⊗	BUTTERFLY VALVE
—	IRON PIPE	⊗	BLOW OFF
—	IRON ROD	⊗	SIGN
—	CONTROL POINT	⊗	DOUBLE POST SIGN
—	DRILL HOLE	⊗	MAIL BOX
—	UTILITY POLE	⊗	BOLLARD
—	UTILITY POLE WITH LIGHT	⊗	CONTROLLER CABINET
—	ELECTRIC BOX	⊗	GAS GATE
—	WETLAND FLAG	⊗	TELEPHONE BOX
—		⊗	CATV TUBE

PROJECT NUMBER  
2020109

FILENAME  
2020109-PLAN.DWG

NO.	DATE	FILE
—	06/14/22	FOR BIDDING

DRAWN BY: JL  
CHECKED BY: KT  
RELEASED BY: PK

DRAWING SCALE  
HORIZONTAL: 1" = 30'  
VERTICAL: 1" = 3'  
OR AS NOTED

30 15 0 30

GRAPHIC SCALE

DATUM  
HORIZONTAL: NAD83 VERTICAL: NAVD88

PROJECT LOCATION

BOULDER RD	WARANOKE RD
RICHARD RD	ADELAIDE RD
ELWOOD RD	JEAN RD
ROBERT RD	STEEP HOLLOW LN
RAYMOND RD	

PROJECT TITLE  
**ROBERT ROAD  
NEIGHBORHOOD  
IMPROVEMENTS**

SHEET TITLE  
**PLAN AND PROFILE  
ROBERT ROAD**  
STA 8+00 TO 14+39

SHEET NUMBER  
**8 of 27**





TOWN OF MANCHESTER  
PUBLIC WORKS DEPARTMENT  
ENGINEERING DIVISION  
494 MAIN STREET - P.O. BOX 191  
MANCHESTER, CT 06045-0191

LEGEND

--- WETLAND BOUNDARY	☆ LIGHT POLE
--- RETAINING WALL	⊗ CONIFEROUS TREE
--- GUEE WALL	⊗ DEODOROUS TREE
--- STONE WALL	⊗ SANITARY MANHOLE
--- STOCKADE FENCE	⊗ DRAINAGE MANHOLE
--- WIRE FENCE	⊗ CATCH BASIN
--- CHAIN LINK FENCE	⊗ CULVERT END
--- PROPERTY LINE	⊗ HYDRANT
--- RAILROAD TRACKS	⊗ CURB STOP
--- SILT FENCE	⊗ WATER VALVE
--- CONCRETE MONUMENT	⊗ BUTTERFLY VALVE
--- GRANITE MONUMENT	⊗ BLOW OFF
--- IRON PIPE	⊗ SIGN
--- IRON ROD	⊗ DOUBLE POST SIGN
--- CONTROL POINT	⊗ MAIL BOX
--- DRILL HOLE	⊗ BOLLARD
--- UTILITY POLE	⊗ CONTROLLER CABINET
--- UTILITY POLE WITH LIGHT	⊗ GAS GATE
--- TRAFFIC SPAN POLE	⊗ TELEPHONE BOX
--- ELECTRIC BOX	⊗ WETLAND FLAG
--- CATV TUBE	

PROJECT NUMBER  
2020109

FILENAME  
2020109-PLAN.DWG

NO.	DATE	FILE
-	06/14/22	FOR BIDDING

DRAWN BY: JL  
CHECKED BY: KT  
RELEASED BY: PK

DRAWING SCALE  
HORIZONTAL: 1" = 30'  
VERTICAL: 1" = 3'  
OR AS NOTED

GRAPHIC SCALE

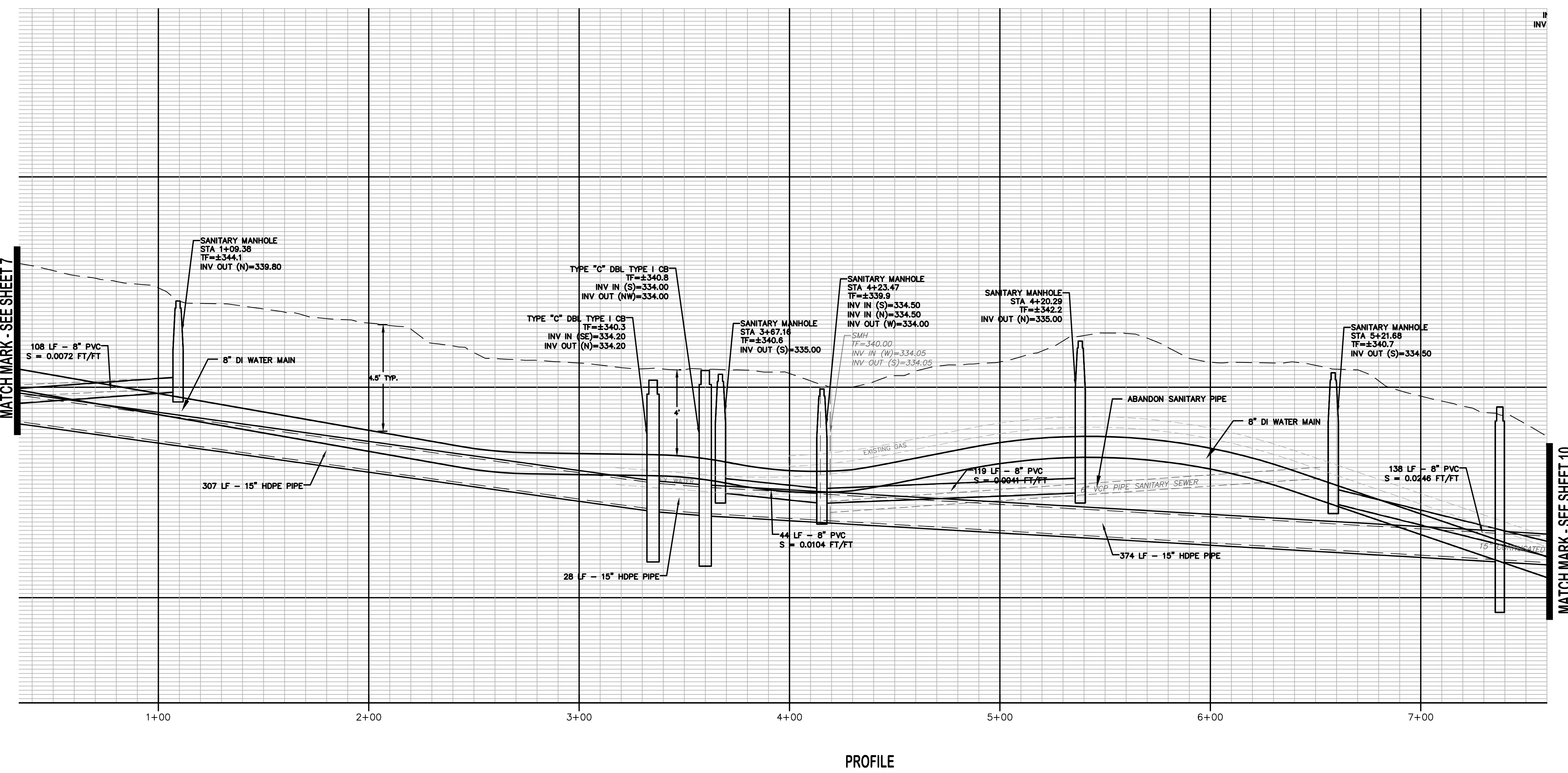
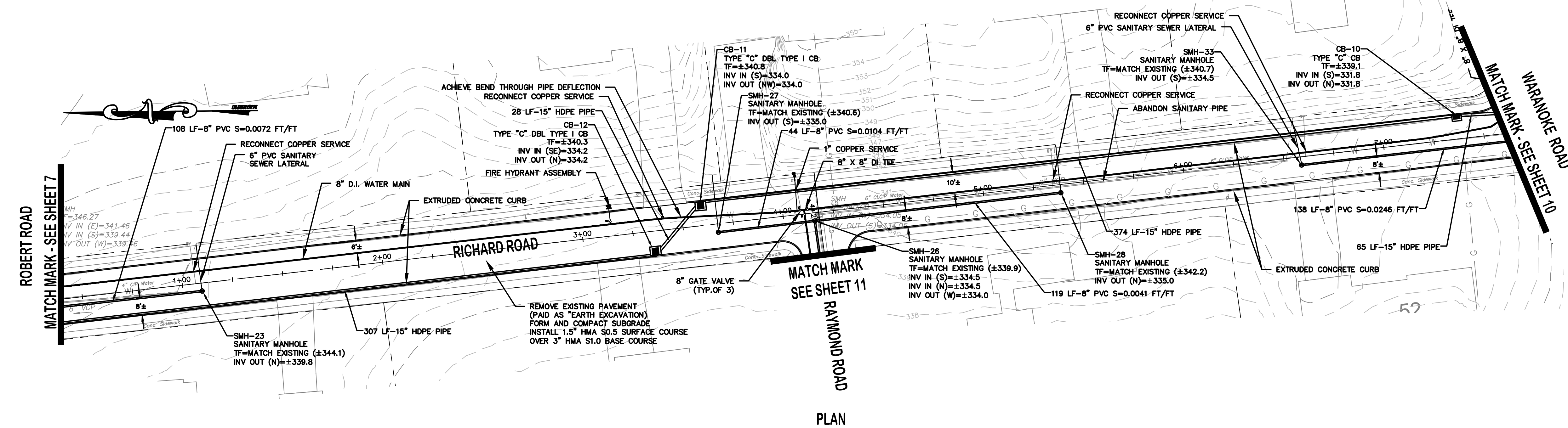
DATUM  
HORIZONTAL: NAD83 VERTICAL: NAVD88

PROJECT LOCATION  
BOULDER RD WARANOKE RD  
RICHARD RD ADELAIDE RD  
ELWOOD RD JEAN RD  
ROBERT RD STEEP HOLLOW LN  
RAYMOND RD

PROJECT TITLE  
**ROBERT ROAD  
NEIGHBORHOOD  
IMPROVEMENTS**

SHEET TITLE  
**PLAN AND PROFILE  
RICHARD ROAD**  
STA 0+00 TO 7+60

SHEET NUMBER  
**9 of 27**

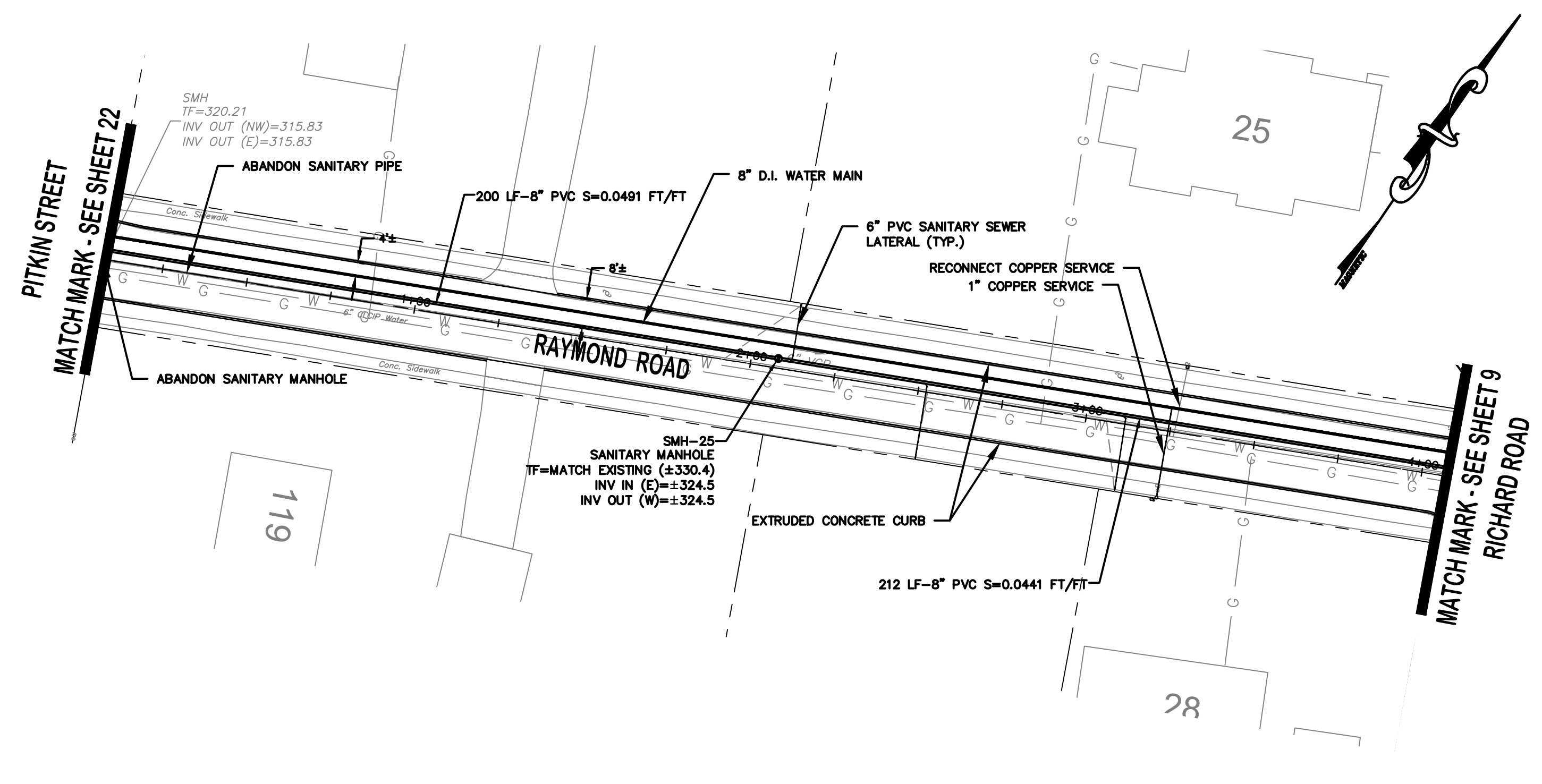


PROFILE

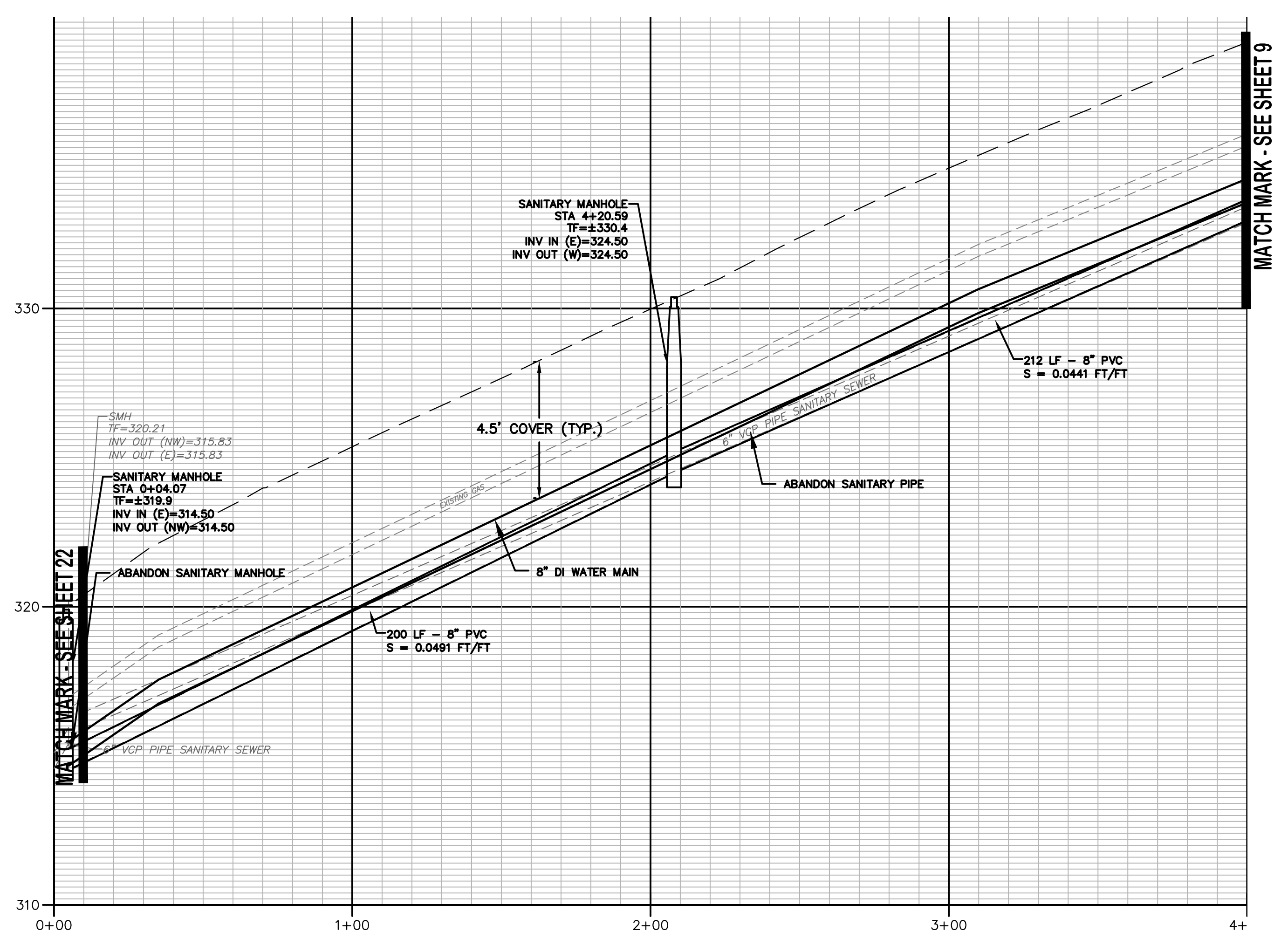




TOWN OF MANCHESTER  
PUBLIC WORKS DEPARTMENT  
ENGINEERING DIVISION  
494 MAIN STREET - P.O. BOX 191  
MANCHESTER, CT 06045-0191



PLAN



PROFILE

LEGEND

- - -	WETLAND BOUNDARY	☆	LIGHT POLE
- - -	RETAINING WALL	⊗	CONIFEROUS TREE
—	GRADE WALL	⊙	DECIDUOUS TREE
—	STONE WALL	⊕	SANITARY MANHOLE
—	STOCKADE FENCE	⊖	DRAINAGE MANHOLE
—	WIRE FENCE	⊗	CATCH BASIN
—	CHAIN LINK FENCE	⊕	CULVERT END
—	PROPERTY LINE	⊖	HYDRANT
—	RAILROAD TRACKS	⊗	CURB STOP
—	SILT FENCE	⊕	WATER VALVE
□	CONCRETE MONUMENT	⊖	BUTTERFLY VALVE
■	GRANITE MONUMENT	⊕	BLOW OFF
○	IRON PIPE	⊗	BLANK SIGN
●	IRON ROD	⊕	DOUBLE POST SIGN
△	CONTROL POINT	⊖	MAL BOX
○	DRILL HOLE	⊕	BOLLARD
⊕	UTILITY POLE	⊖	CONTROLLER CABINET
⊗	UTILITY POLE WITH LIGHT	⊕	GAS GATE
⊖	TRAFFIC SPAN POLE	⊖	TELEPHONE BOX
⊕	ELECTRIC BOX	⊕	WETLAND FLAG
⊖	WETLAND FLAG	⊖	CATV TUBE

PROJECT NUMBER  
**2020109**

FILENAME  
**2020109-PLAN.DWG**

NO.	DATE	FILE
-	06/14/22	FOR BIDDING

DRAWN BY: JL  
CHECKED BY: KT  
RELEASED BY: PK

DRAWING SCALE  
HORIZONTAL: 1" = 30'  
VERTICAL: 1" = 3'  
OR AS NOTED

GRAPHIC SCALE

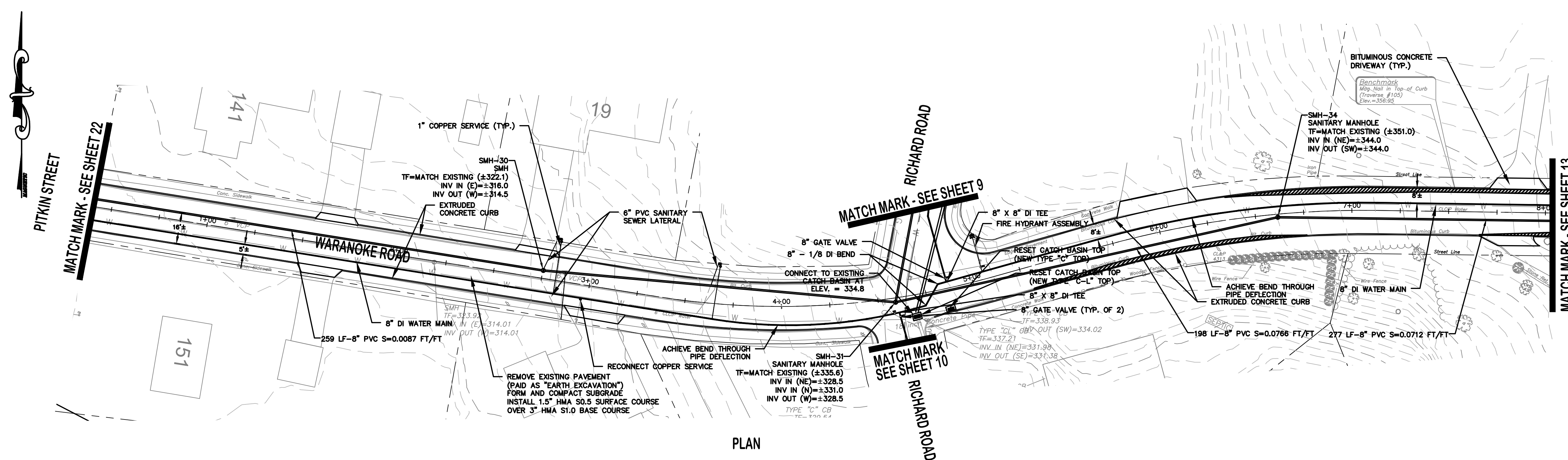
DATUM  
HORIZONTAL: NAD83 VERTICAL: NAVD88

PROJECT LOCATION  
BOULDER RD    WARANOKE RD  
RICHARD RD    ADELAIDE RD  
ELWOOD RD    JEAN RD  
ROBERT RD    STEEP HOLLOW LN  
RAYMOND RD

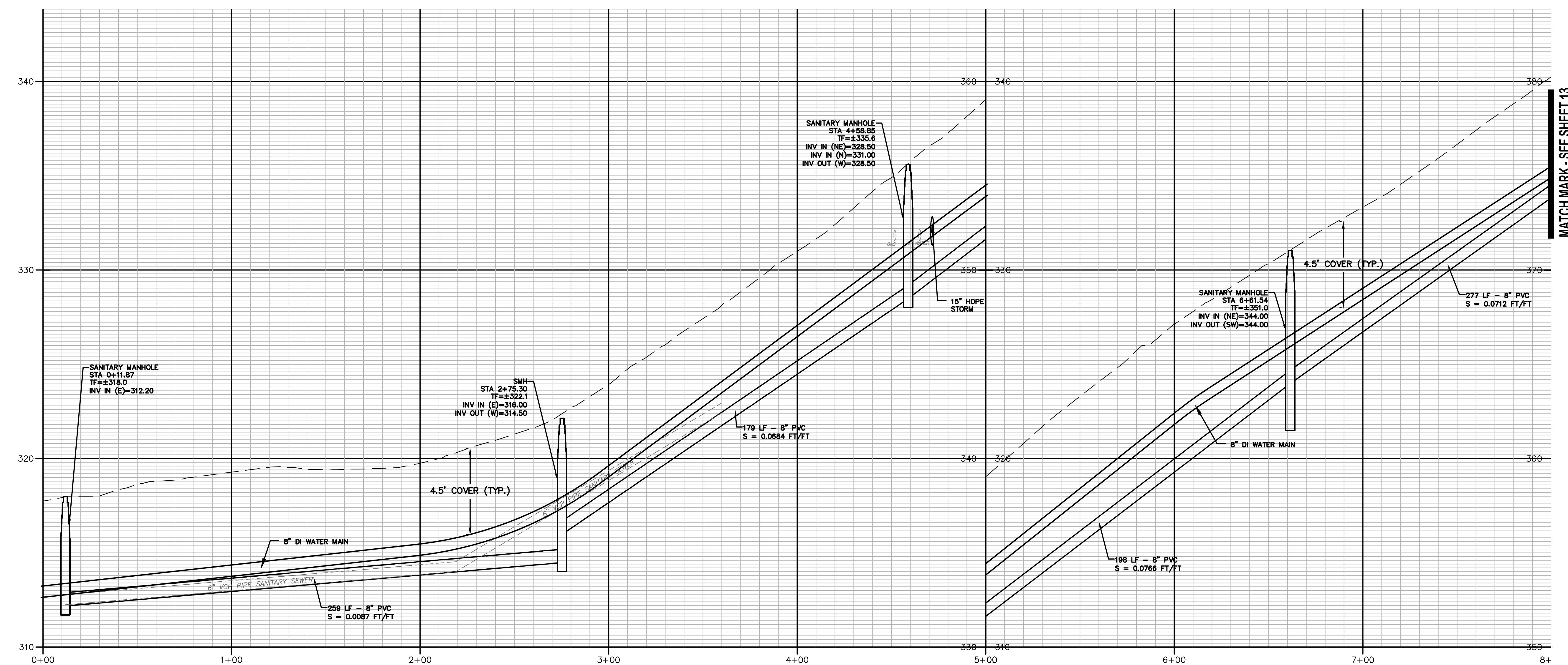
PROJECT TITLE  
**ROBERT ROAD  
NEIGHBORHOOD  
IMPROVEMENTS**

SHEET TITLE  
**PLAN AND PROFILE  
RAYMOND ROAD**

SHEET NUMBER  
**11 of 27**



PLAN



PROFILE



TOWN OF MANCHESTER  
 PUBLIC WORKS DEPARTMENT  
 ENGINEERING DIVISION  
 494 MAIN STREET - P.O. BOX 191  
 MANCHESTER, CT 06045-0191

LEGEND

—	WETLANDS BOUNDARY	☆	LIGHT POLE
—	RETAINING WALL	⊗	CONIFEROUS TREE
—	STONE WALL	⊙	DECIDUOUS TREE
—	STOCKADE FENCE	⊕	SANITARY MANHOLE
—	WIRE FENCE	⊖	DRAINAGE MANHOLE
—	CHAIN LINK FENCE	⊗	CATCH BASIN
—	PROPERTY LINE	⊕	CULVERT END
—	RAILROAD TRACKS	⊖	HYDRANT
—	SILT FENCE	⊗	CURB STOP
—	CONCRETE MONUMENT	⊕	WATER VALVE
—	GRANITE MONUMENT	⊖	BUTTERFLY VALVE
—	IRON PIPE	⊗	BLOW OFF
—	IRON ROD	⊕	SIGN
—	CONTROL POINT	⊖	DOUBLE POST SIGN
—	DRILL HOLE	⊗	MAIL BOX
—	UTILITY POLE	⊕	BOLLARD
—	UTILITY POLE WITH LIGHT	⊖	CONTROLLER CABINET
—	ELECTRIC BOX	⊗	GAS GATE
—	ELECTRIC BOX	⊕	TELEPHONE BOX
—	WETLAND FLAG	⊖	CATV TUBE

PROJECT NUMBER  
 2020109

FILENAME  
 2020109-PLAN.DWG

NO.	DATE	FILE
—	06/14/22	FOR BIDDING

DRAWN BY: JL  
 CHECKED BY: KT  
 RELEASED BY: PK

DRAWING SCALE  
 HORIZONTAL: 1" = 30'  
 VERTICAL: 1" = 3'  
 OR AS NOTED

GRAPHIC SCALE

DATUM  
 HORIZONTAL: NAD83 VERTICAL: NAVD88

PROJECT LOCATION  
 BOULDER RD WARANOKE RD  
 RICHARD RD ADELAIDE RD  
 ELWOOD RD JEAN RD  
 ROBERT RD STEEP HOLLOW LN  
 RAYMOND RD

PROJECT TITLE  
**ROBERT ROAD  
 NEIGHBORHOOD  
 IMPROVEMENTS**

SHEET TITLE  
**PLAN AND PROFILE  
 WARANOKE ROAD**  
 STA 0+00 TO 8+00

SHEET NUMBER  
**12 of 27**



TOWN OF MANCHESTER  
PUBLIC WORKS DEPARTMENT  
ENGINEERING DIVISION  
494 MAIN STREET - P.O. BOX 191  
MANCHESTER, CT 06045-0191

LEGEND

—	WETLANDS BOUNDARY	☆	LIGHT POLE
—	RETAINING WALL	⊗	CONIFEROUS TREE
—	GRASS WALL	⊗	DECIDUOUS TREE
—	STONE WALL	⊗	SANITARY MANHOLE
—	STOCKADE FENCE	⊗	DRAINAGE MANHOLE
—	WIRE FENCE	⊗	CATCH BASIN
—	CHAIN LINK FENCE	⊗	CULVERT END
—	PROPERTY LINE	⊗	HYDRANT
—	RAILROAD TRACKS	⊗	CURB STOP
—	SILT FENCE	⊗	WATER VALVE
⊗	CONCRETE MONUMENT	⊗	BUTTERFLY VALVE
⊗	GRANITE MONUMENT	⊗	BLOW OFF
⊗	IRON PIPE	⊗	SIGN
⊗	IRON ROD	⊗	DOUBLE POST SIGN
⊗	CONTROL POINT	⊗	MAIL BOX
⊗	DRILL HOLE	⊗	BOLLARD
⊗	UTILITY POLE	⊗	CONTROLLER CABINET
⊗	UTILITY POLE WITH LIGHT	⊗	GAS GATE
⊗	TRAFFIC SPAN POLE	⊗	TELEPHONE BOX
⊗	ELECTRIC BOX	⊗	CATV TUBE
⊗	WETLAND FLAG		

PROJECT NUMBER  
**2020109**

FILENAME  
**2020109-PLAN.DWG**

NO.	DATE	FILE
—	06/14/22	FOR BIDDING

DRAWN BY: JL  
CHECKED BY: KT  
RELEASED BY: PK

DRAWING SCALE  
HORIZONTAL: 1" = 30'  
VERTICAL: 1" = 3'  
OR AS NOTED

GRAPHIC SCALE

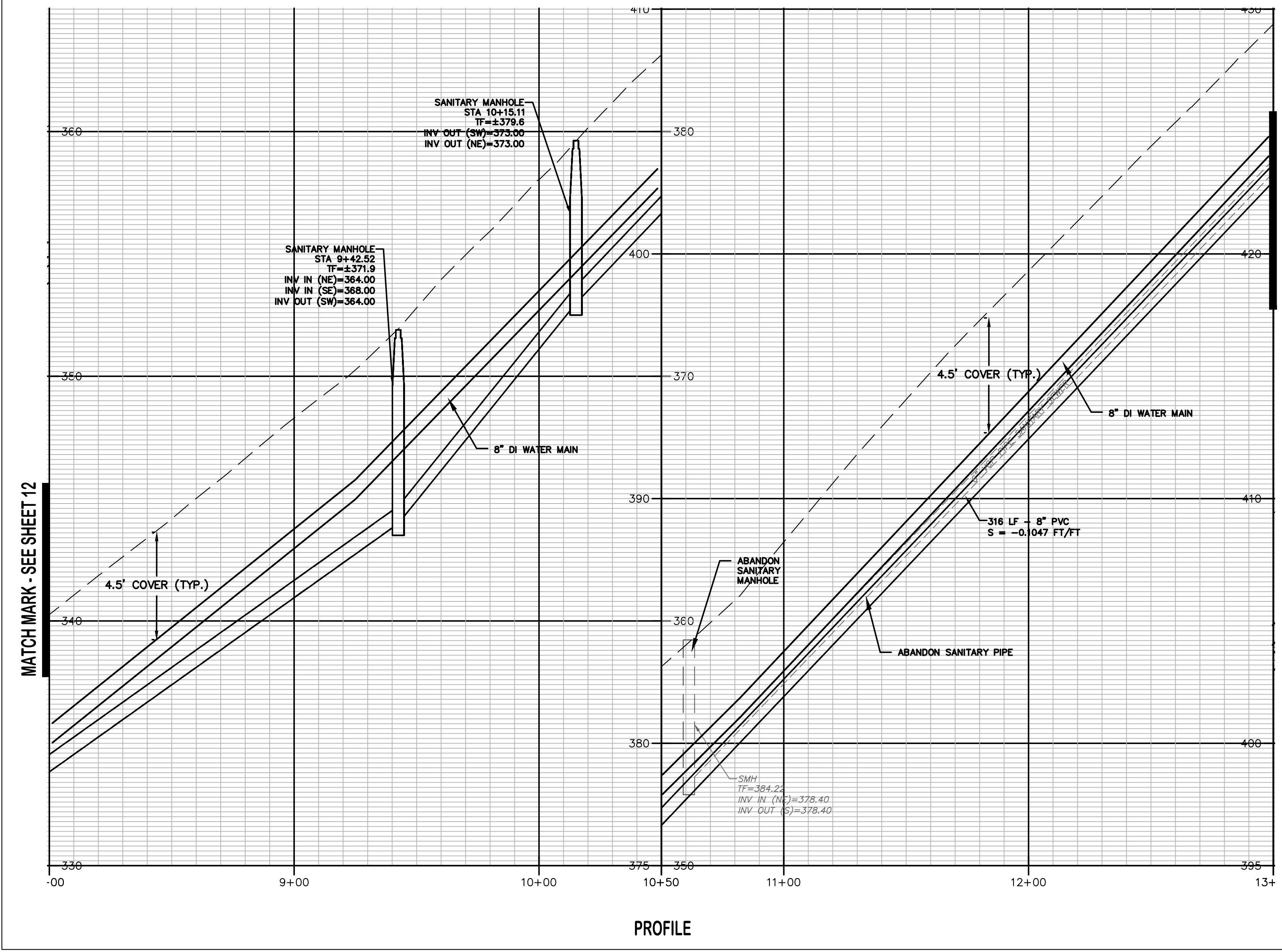
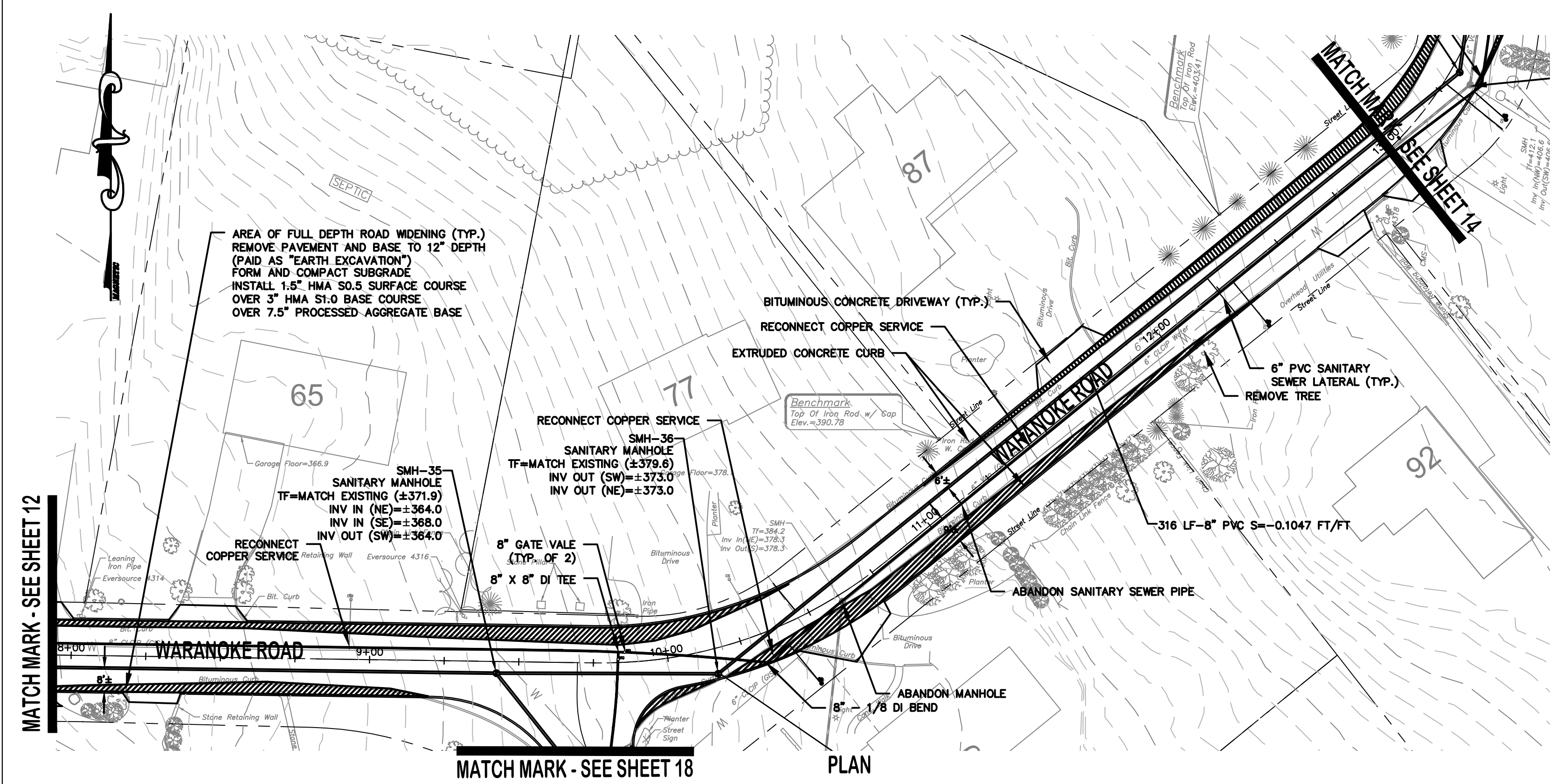
DATUM  
HORIZONTAL: NAD83 VERTICAL: NAVD88

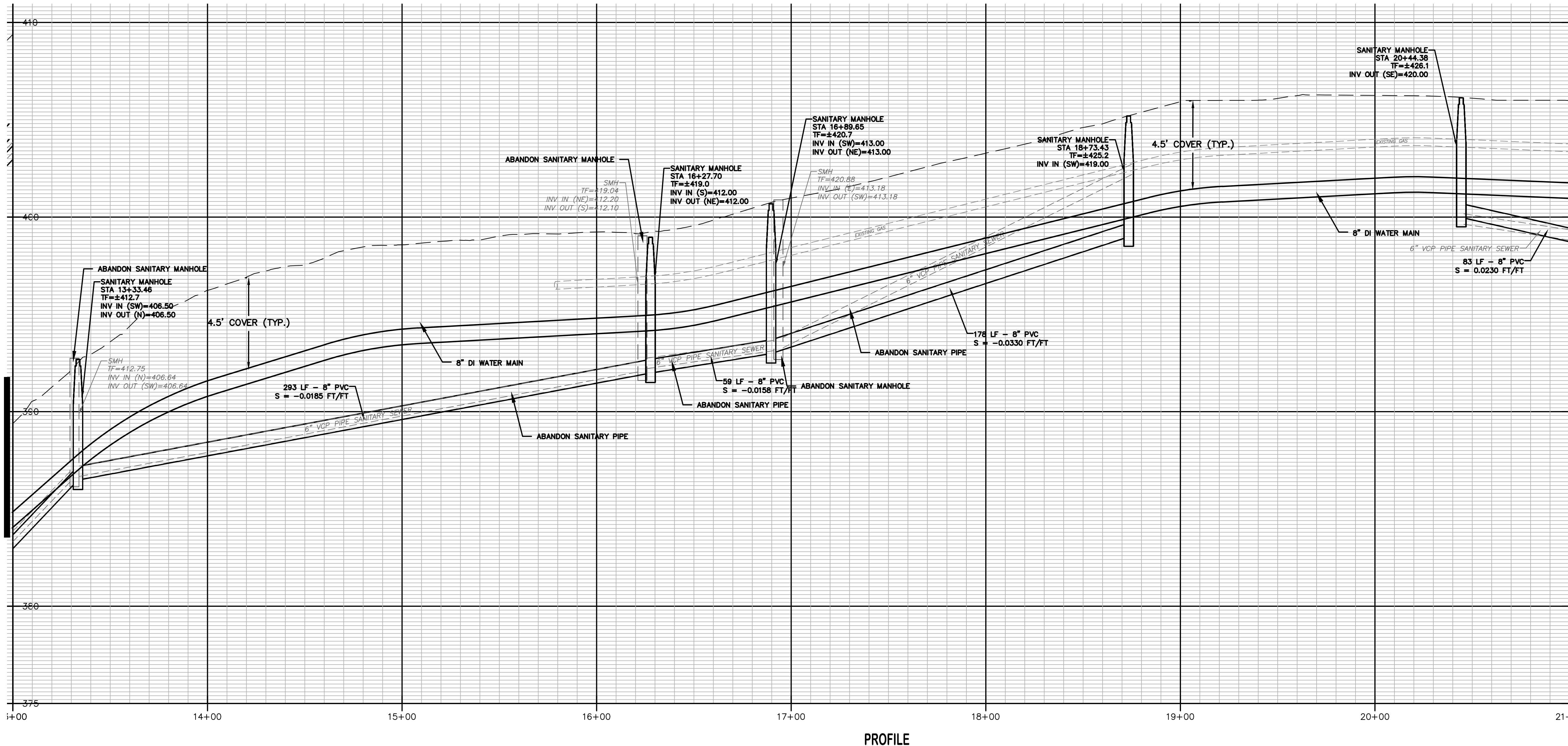
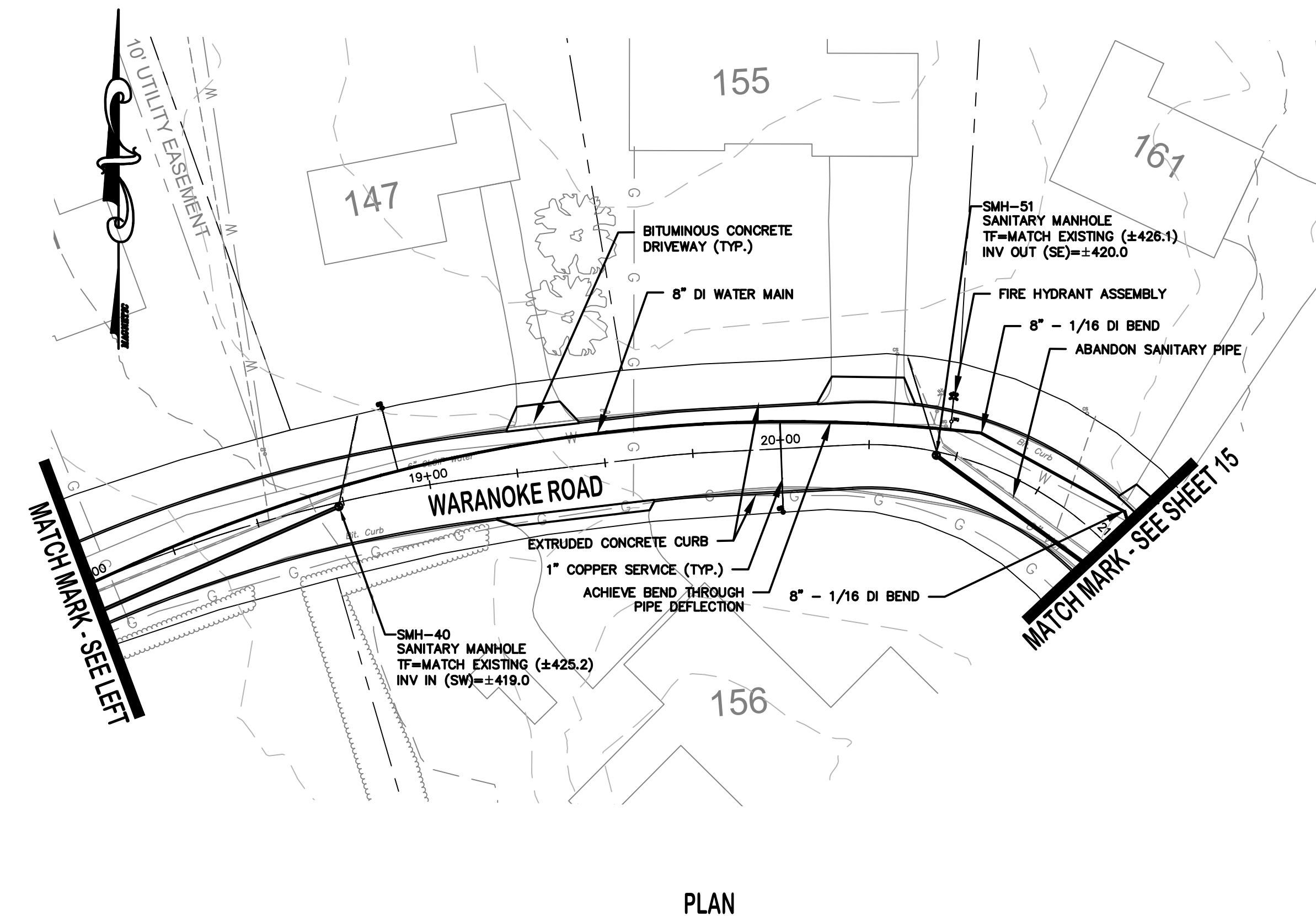
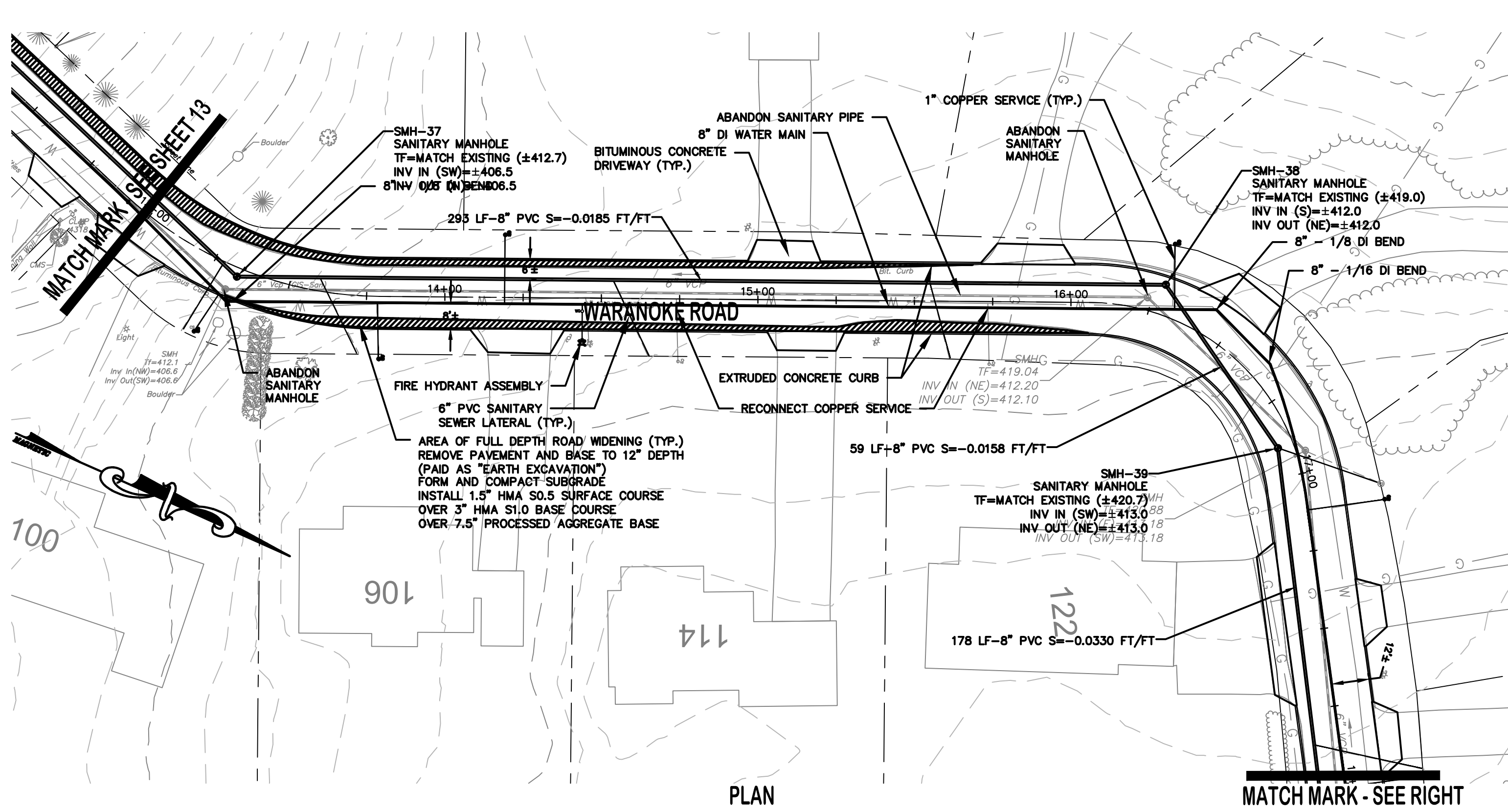
PROJECT LOCATION  
BOULDER RD WARANOKE RD  
RICHARD RD ADELAIDE RD  
ELWOOD RD JEAN RD  
ROBERT RD STEEP HOLLOW LN  
RAYMOND RD

PROJECT TITLE  
**ROBERT ROAD  
NEIGHBORHOOD  
IMPROVEMENTS**

SHEET TITLE  
**PLAN AND PROFILE  
WARANOKE ROAD**  
STA 8+00 TO 13+00

SHEET NUMBER  
**13 of 27**





TOWN OF MANCHESTER CONNECTICUT SEAL

TOWN OF MANCHESTER  
PUBLIC WORKS DEPARTMENT  
ENGINEERING DIVISION  
494 MAIN STREET - P.O. BOX 191  
MANCHESTER, CT 06045-0191

**LEGEND**

WETLAND BOUNDARY	RETAINING WALL	CONFERIOUS TREE
STONE WALL	DEODOROUS TREE	SANITARY MANHOLE
STOCKADE FENCE	WIRE FENCE	DRAINAGE MANHOLE
CHAIN LINK FENCE	PROPERTY LINE	CATCH BASIN
RAILROAD TRACKS	SILT FENCE	CULVERT END
CONCRETE MONUMENT	GRANITE MONUMENT	HYDRANT
IRON PIPE	IRON ROD	CURB STOP
CONTROL POINT	DRILL HOLE	WATER VALVE
UTILITY POLE	UTILITY POLE WITH LIGHT	BUTTERFLY VALVE
ELECTRIC BOX	TRAFFIC SPAN POLE	BLOW OFF
WETLAND FLAG	WETLAND TUBE	SIGN
		DOUBLE POST SIGN
		MAL BOX
		BOLLARD
		CONTROLLER CABINET
		GAS GATE
		TELEPHONE BOX
		CATV TUBE

PROJECT NUMBER  
2020109

FILENAME  
2020109-PLAN.DWG

NO.	DATE	FILE
-	06/14/22	FOR BIDDING

DRAWN BY: JL  
CHECKED BY: KT  
RELEASED BY: PK

DRAWING SCALE  
HORIZONTAL: 1" = 30'  
VERTICAL: 1" = 3'  
OR AS NOTED

30 15 0 30

GRAPHIC SCALE

DATUM  
HORIZONTAL: NAD83 VERTICAL: NAVD88

PROJECT LOCATION

BOULDER RD	WARANOKE RD
RICHARD RD	ADELAIDE RD
ELWOOD RD	JEAN RD
ROBERT RD	STEEP HOLLOW LN
RAYMOND RD	

PROJECT TITLE  
**ROBERT ROAD  
NEIGHBORHOOD  
IMPROVEMENTS**

SHEET TITLE  
**PLAN AND PROFILE  
WARANOKE ROAD**  
STA 13+00 TO 21+00

SHEET NUMBER  
**14 of 27**



TOWN OF MANCHESTER  
 PUBLIC WORKS DEPARTMENT  
 ENGINEERING DIVISION  
 494 MAIN STREET - P.O. BOX 191  
 MANCHESTER, CT 06045-0191

LEGEND

- - -	WETLAND BOUNDARY	☆	LIGHT POLE
- - -	RETAINING WALL	⊗	CONIFEROUS TREE
- - -	GRASS WALL	⊗	DECIDUOUS TREE
⊗	STONE WALL	⊗	SANITARY MANHOLE
- - -	STOCKADE FENCE	⊗	DRAINAGE MANHOLE
- - -	WIRE FENCE	⊗	CATCH BASIN
- - -	CHAIN LINK FENCE	⊗	CULVERT END
- - -	PROPERTY LINE	⊗	HYDRANT
- - -	RAILROAD TRACKS	⊗	CURB STOP
- - -	SILT FENCE	⊗	WATER VALVE
□	CONCRETE MONUMENT	⊗	BUTTERFLY VALVE
■	GRANITE MONUMENT	⊗	BLOW OFF
○	IRON PIPE	⊗	SIGN
●	IRON ROD	⊗	DOUBLE POST SIGN
△	CONTROL POINT	⊗	MAIL BOX
○	DRILL HOLE	⊗	BOLLARD
⊗	UTILITY POLE	⊗	CONTROLLER CABINET
⊗	UTILITY POLE WITH LIGHT	⊗	GAS GATE
⊗	TRAFFIC SPAN POLE	⊗	ELECTRIC BOX
⊗	ELECTRIC BOX	⊗	TELEPHONE BOX
⊗	WETLAND FLAG	⊗	CATV TUBE

PROJECT NUMBER  
 2020109

FILENAME  
 2020109-PLAN.DWG

NO.	DATE	FILE
-	06/14/22	FOR BIDDING

DRAWN BY: JL  
 CHECKED BY: KT  
 RELEASED BY: PK

DRAWING SCALE  
 HORIZONTAL: 1" = 30'  
 VERTICAL: 1" = 3'  
 OR AS NOTED  

 GRAPHIC SCALE

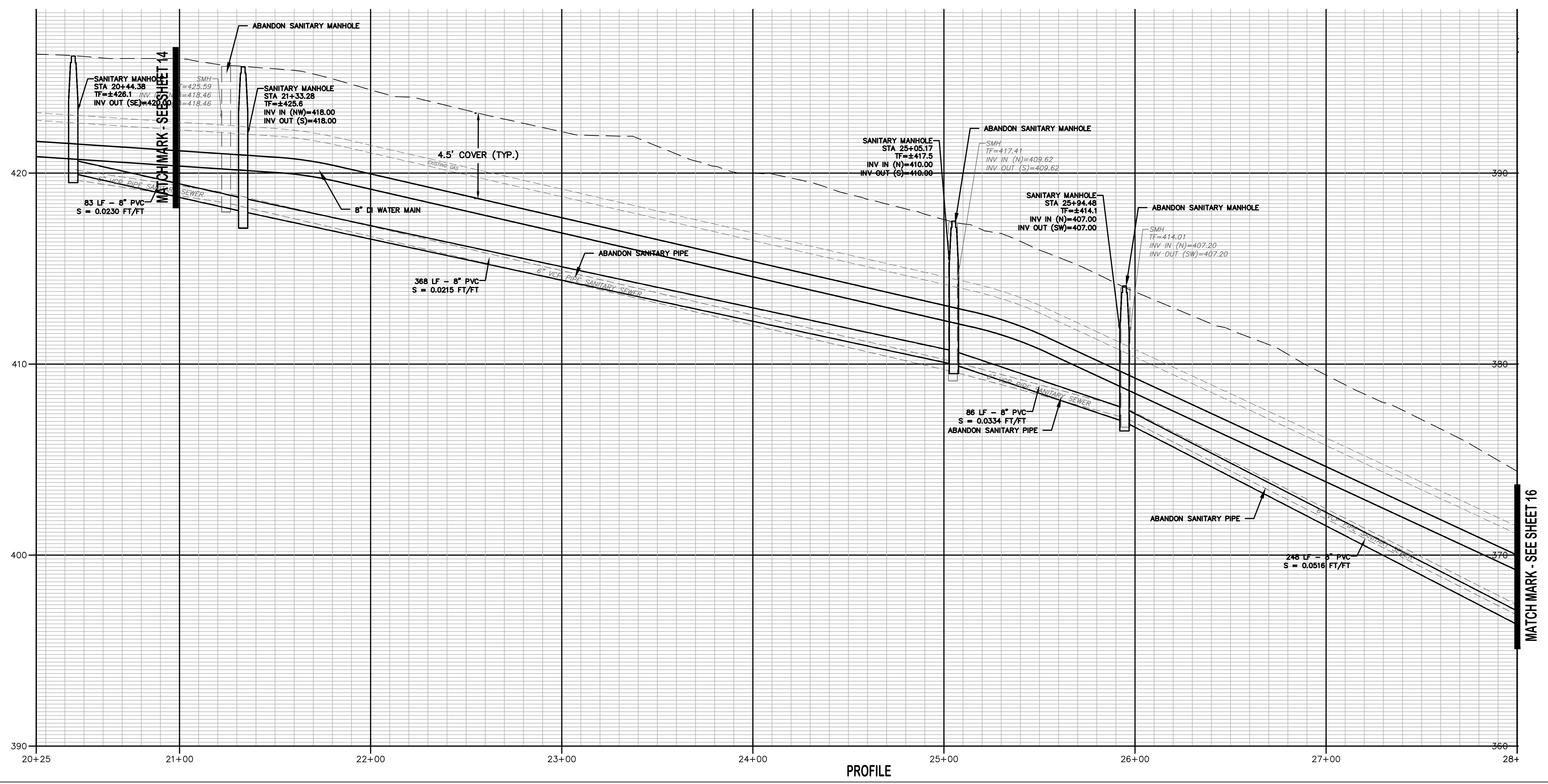
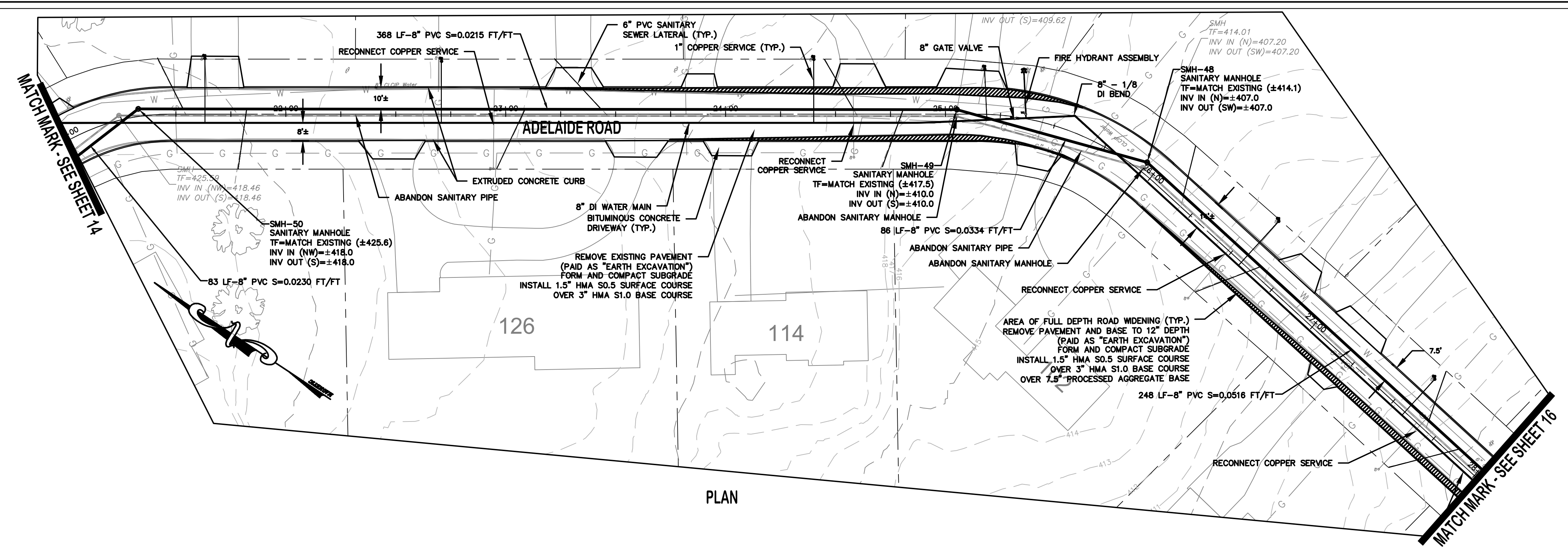
DATUM  
 HORIZONTAL: NAD83 VERTICAL: NAVD88

PROJECT LOCATION  
 BOULDER RD      WARANOKE RD  
 RICHARD RD      ADELAIDE RD  
 ELWOOD RD      JEAN RD  
 ROBERT RD      STEEP HOLLOW LN  
 RAYMOND RD

PROJECT TITLE  
**ROBERT ROAD  
 NEIGHBORHOOD  
 IMPROVEMENTS**

SHEET TITLE  
**PLAN AND PROFILE  
 ADELAIDE ROAD**  
 STA 21+00 TO 28+00

SHEET NUMBER  
**15 of 27**



MATCH MARK - SEE SHEET 16

MATCH MARK - SEE SHEET 14

MATCH MARK - SEE SHEET 16



TOWN OF MANCHESTER  
PUBLIC WORKS DEPARTMENT  
ENGINEERING DIVISION  
494 MAIN STREET - P.O. BOX 191  
MANCHESTER, CT 06045-0191

LEGEND

—	WETLAND BOUNDARY	☆	LIGHT POLE
—	RETAINING WALL	⊗	CONIFEROUS TREE
—	GRASS WALL	⊙	DECIDUOUS TREE
—	STONE WALL	⊕	SANITARY MANHOLE
—	STOCKADE FENCE	⊖	DRAINAGE MANHOLE
—	WIRE FENCE	⊗	CATCH BASIN
—	CHAIN LINK FENCE	⊕	CULVERT END
—	PROPERTY LINE	⊖	HYDRANT
—	RAILROAD TRACKS	⊗	CURB STOP
—	SILT FENCE	⊕	WATER VALVE
—	CONCRETE MONUMENT	⊖	BUTTERFLY VALVE
—	GRANITE MONUMENT	⊗	BLOW OFF
—	IRON PIPE	⊕	SIGN
—	IRON ROD	⊖	DOUBLE POST SIGN
—	CONTROL POINT	⊗	MAL. BOX
—	DRILL HOLE	⊕	BOLLARD
—	UTILITY POLE	⊖	CONTROLLER CABINET
—	UTILITY POLE WITH LIGHT	⊗	GAS GATE
—	TRAFFIC SPAN POLE	⊕	TELEPHONE BOX
—	ELECTRIC BOX	⊖	CATV TUBE
—	WETLAND FLAG	⊗	

PROJECT NUMBER  
2020109

FILENAME  
2020109-PLAN.DWG

NO.	DATE	FILE
—	06/14/22	FOR BIDDING

DRAWN BY: JL  
CHECKED BY: KT  
RELEASED BY: PK

DRAWING SCALE  
HORIZONTAL: 1" = 30'  
VERTICAL: 1" = 3'  
OR AS NOTED

GRAPHIC SCALE

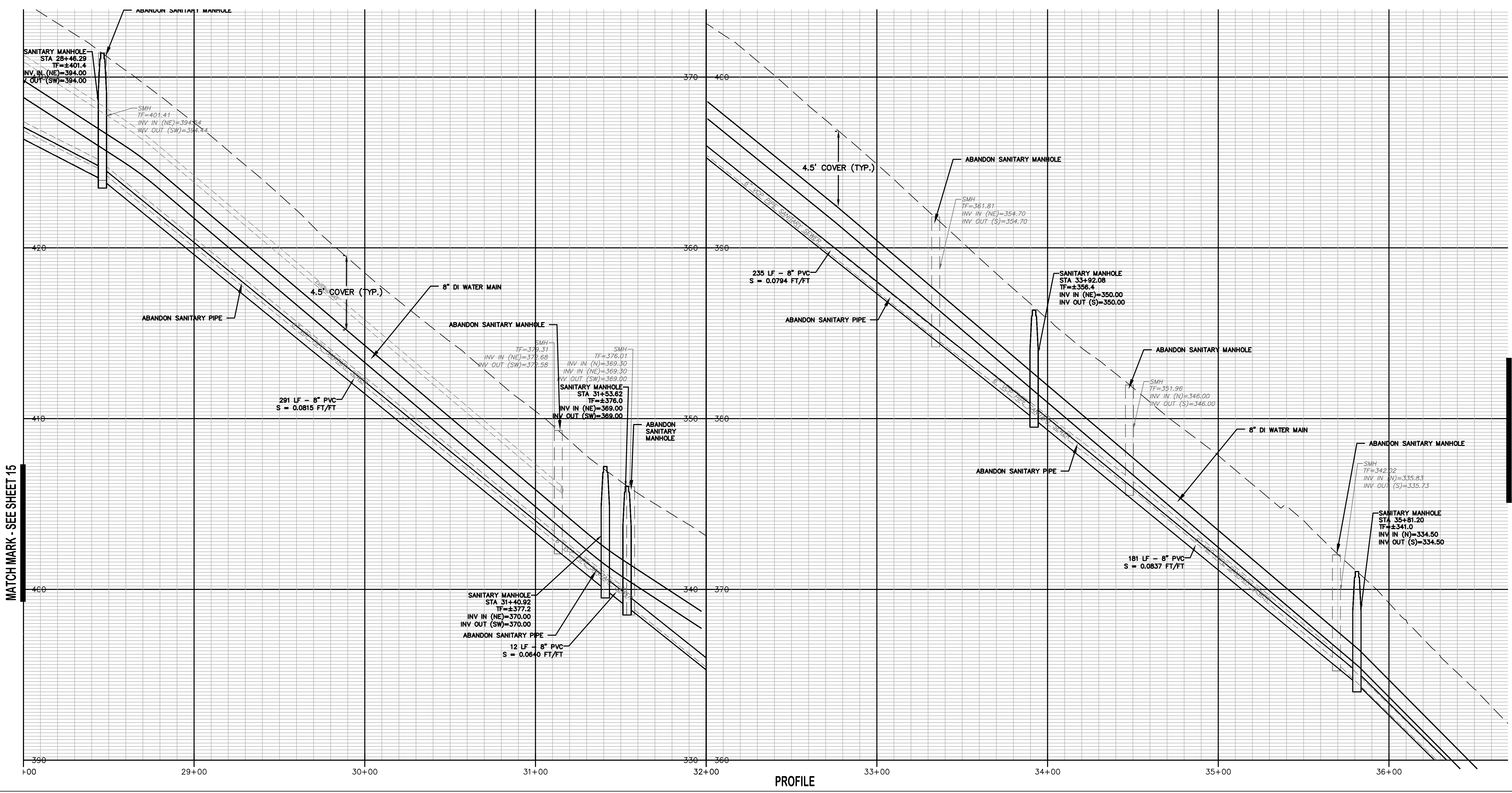
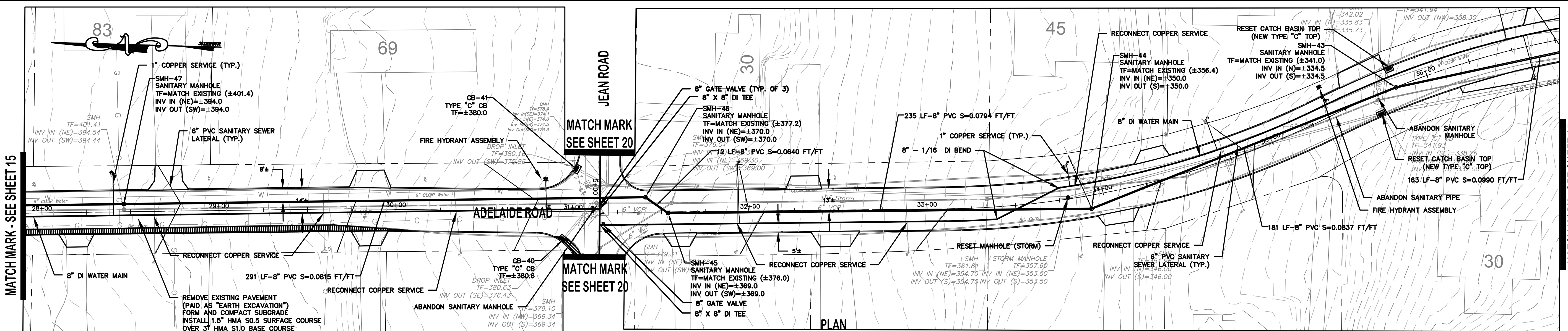
DATUM  
HORIZONTAL: NAD83 VERTICAL: NAVD88

PROJECT LOCATION  
BOULDER RD WARANOKE RD  
RICHARD RD ADELAIDE RD  
ELWOOD RD JEAN RD  
ROBERT RD STEEP HOLLOW LN  
RAYMOND RD

PROJECT TITLE  
**ROBERT ROAD  
NEIGHBORHOOD  
IMPROVEMENTS**

SHEET TITLE  
**PLAN AND PROFILE  
ADELAIDE ROAD**  
STA 28+00 TO 37+00

SHEET NUMBER  
**16 of 27**



MATCH MARK - SEE SHEET 15

MATCH MARK - SEE SHEET 15

MATCH MARK - SEE SHEET 17

MATCH MARK - SEE SHEET 17

PROFILE





TOWN OF MANCHESTER  
PUBLIC WORKS DEPARTMENT  
ENGINEERING DIVISION  
494 MAIN STREET - P.O. BOX 191  
MANCHESTER, CT 06045-0191

LEGEND

—	WETLANDS BOUNDARY	☆	LIGHT POLE
—	RETAINING WALL	⊗	CONIFEROUS TREE
—	STONE WALL	⊙	DECIDUOUS TREE
—	STOCKADE FENCE	⊕	SANITARY MANHOLE
—	WIRE FENCE	⊖	DRAINAGE MANHOLE
—	CHAIN LINK FENCE	⊗	CATCH BASIN
—	PROPERTY LINE	⊕	CULVERT END
—	RAILROAD TRACKS	⊖	HYDRANT
—	SILT FENCE	⊗	CURB STOP
⊕	CONCRETE MONUMENT	⊖	WATER VALVE
⊖	GRANITE MONUMENT	⊕	BUTTERFLY VALVE
⊗	IRON PIPE	⊖	BLOW OFF
⊕	IRON ROD	⊗	SIGN
⊖	CONTROL POINT	⊕	DOUBLE POST SIGN
⊗	DRILL HOLE	⊖	MAIL BOX
⊕	UTILITY POLE	⊗	BOLLARD
⊖	UTILITY POLE WITH LIGHT	⊕	CONTROLLER CABINET
⊗	TRAFFIC SPAN POLE	⊖	GAS GATE
⊕	ELECTRIC BOX	⊗	TELEPHONE BOX
⊖	WETLAND FLAG	⊕	CATV TUBE

PROJECT NUMBER  
2020109

FILENAME  
2020109-PLAN.DWG

NO.	DATE	FILE
—	06/14/22	FOR BIDDING

DRAWN BY: JL  
CHECKED BY: KT  
RELEASED BY: PK

DRAWING SCALE  
HORIZONTAL: 1" = 30'  
OR AS NOTED  
30 15 0 30  
GRAPHIC SCALE

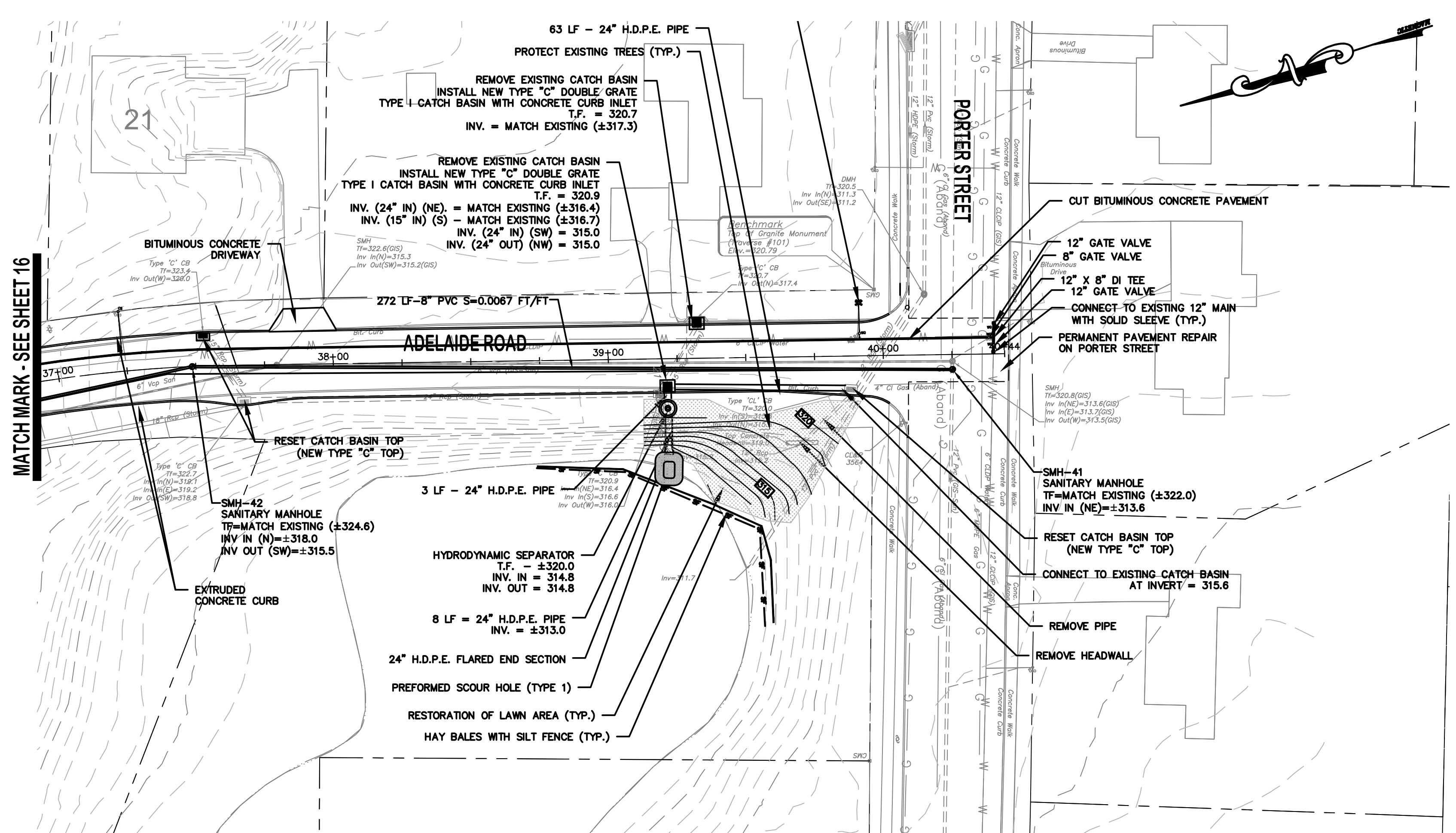
DATUM  
HORIZONTAL: NAD83 VERTICAL: NAVD88

PROJECT LOCATION  
BOULDER RD WARANOKE RD  
RICHARD RD ADELAIDE RD  
ELWOOD RD JEAN RD  
ROBERT RD STEEP HOLLOW LN  
RAYMOND RD

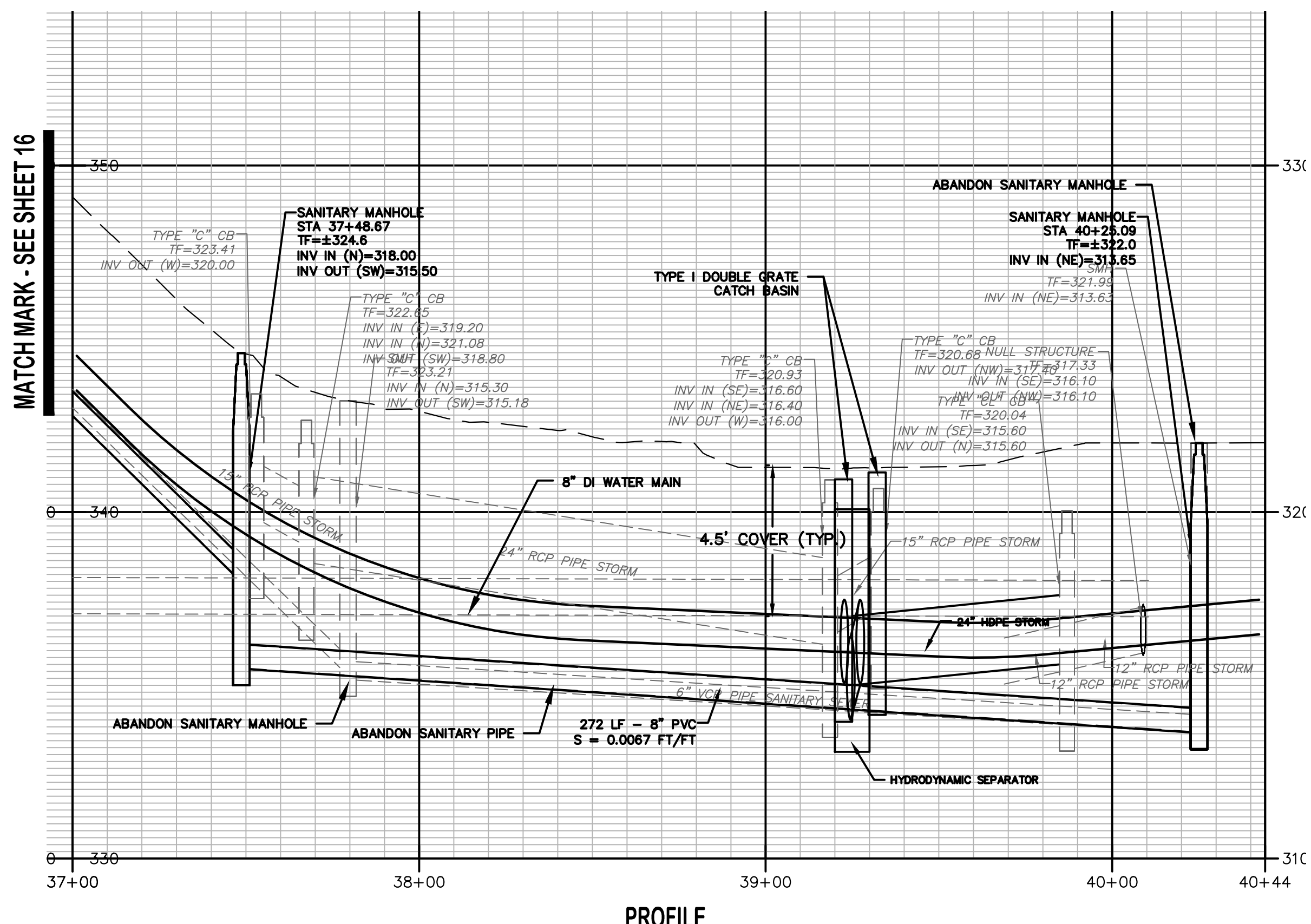
PROJECT TITLE  
ROBERT ROAD  
NEIGHBORHOOD  
IMPROVEMENTS

SHEET TITLE  
PLAN AND PROFILE  
ADELAIDE ROAD  
STA 37+00 TO 40+44

SHEET NUMBER  
17 of 27



PLAN



PROFILE



TOWN OF MANCHESTER  
 PUBLIC WORKS DEPARTMENT  
 ENGINEERING DIVISION  
 494 MAIN STREET - P.O. BOX 191  
 MANCHESTER, CT 06045-0191

LEGEND

- - -	WETLANDS BOUNDARY	☆	LIGHT POLE
- - -	RETAINING WALL	⊗	CONIFEROUS TREE
⊘	STONE WALL	⊙	DECIDUOUS TREE
⊘	STOCKADE FENCE	⊙	SANITARY MANHOLE
⊘	WIRE FENCE	⊙	DRAINAGE MANHOLE
⊘	CHAIN LINK FENCE	⊙	CATCH BASIN
⊘	PROPERTY LINE	⊙	CULVERT END
⊘	RAILROAD TRACKS	⊙	HYDRANT
⊘	SILT FENCE	⊙	CURB STOP
⊘	CONCRETE MONUMENT	⊙	WATER VALVE
⊘	GRANITE MONUMENT	⊙	BUTTERFLY VALVE
⊘	IRON PIPE	⊙	BLOW OFF
⊘	IRON ROD	⊙	SIGN
⊘	CONTROL POINT	⊙	DOUBLE POST SIGN
⊘	DRILL HOLE	⊙	MAIL BOX
⊘	UTILITY POLE	⊙	BOLLARD
⊘	UTILITY POLE WITH LIGHT	⊙	CONTROLLER CABINET
⊘	ELECTRIC BOX	⊙	GAS GATE
⊘	WETLAND FLAG	⊙	TELEPHONE BOX
⊘		⊙	CATV TUBE

PROJECT NUMBER  
 2020109

FILENAME  
 2020109-PLAN.DWG

NO.	DATE	FILE
-	06/14/22	FOR BIDDING

DRAWN BY: JL  
 CHECKED BY: KT  
 RELEASED BY: PK

DRAWING SCALE  
 HORIZONTAL: 1" = 30'  
 VERTICAL: 1" = 3'  
 OR AS NOTED

GRAPHIC SCALE

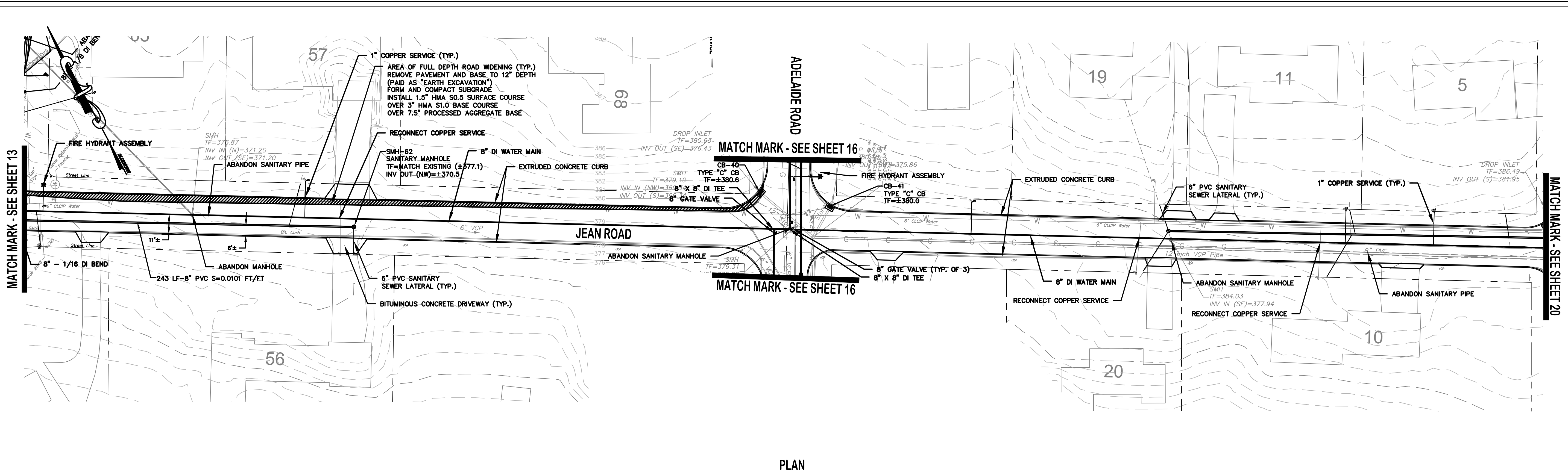
DATUM  
 HORIZONTAL: NAD83 VERTICAL: NAVD88

PROJECT LOCATION  
 BOULDER RD WARANOKE RD  
 RICHARD RD ADELAIDE RD  
 ELWOOD RD JEAN RD  
 ROBERT RD STEEP HOLLOW LN  
 RAYMOND RD

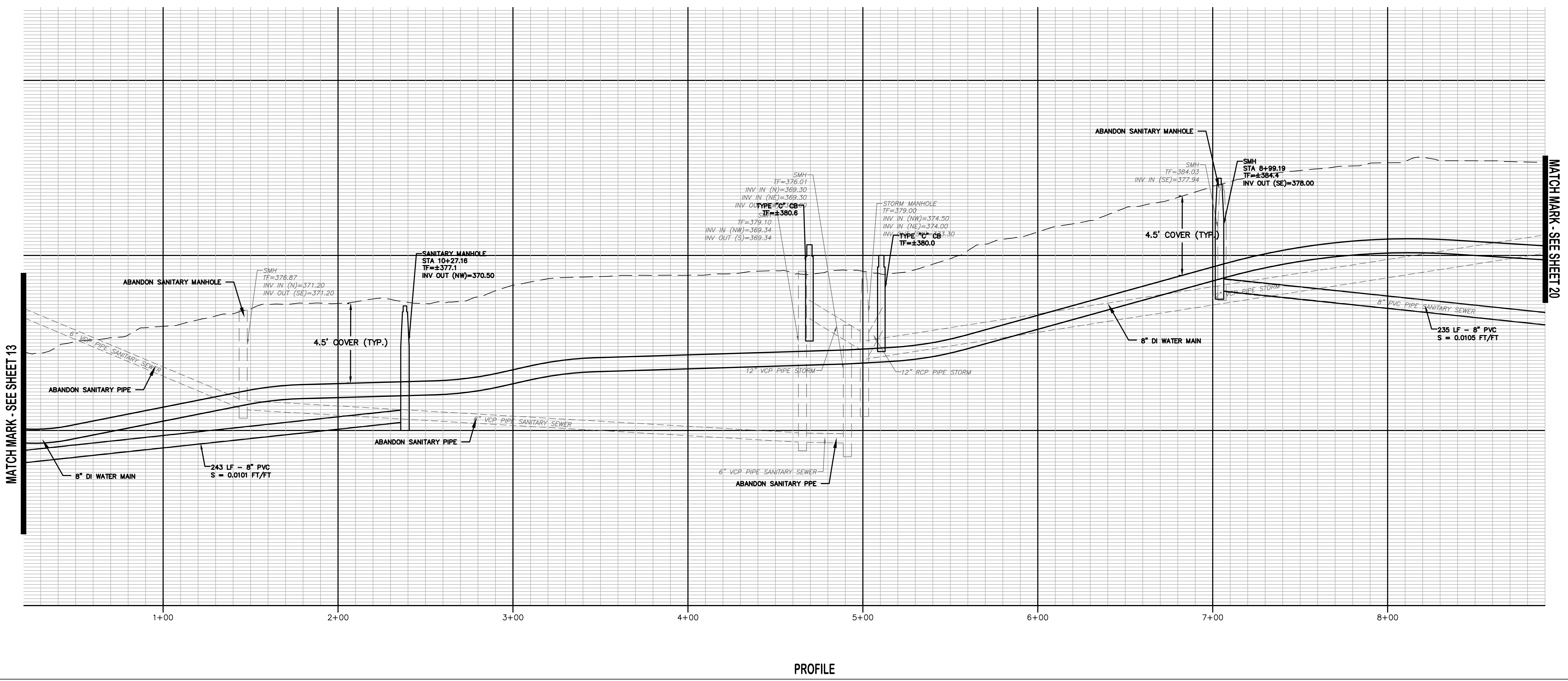
PROJECT TITLE  
**ROBERT ROAD  
 NEIGHBORHOOD  
 IMPROVEMENTS**

SHEET TITLE  
**PLAN AND PROFILE  
 JEAN ROAD**

SHEET NUMBER  
**18 of 27**



PLAN



PROFILE



TOWN OF MANCHESTER CONNECTICUT  
 PUBLIC WORKS DEPARTMENT  
 ENGINEERING DIVISION  
 494 MAIN STREET - P.O. BOX 191  
 MANCHESTER, CT 06045-0191

LEGEND

---	WETLANDS BOUNDARY	☆	LIGHT POLE
---	RETAINING WALL	⊗	CONIFEROUS TREE
---	GRADE WALL	⊙	DECIDUOUS TREE
---	STONE WALL	⊗	SANITARY MANHOLE
---	STOCKADE FENCE	⊗	DRAINAGE MANHOLE
---	WIRE FENCE	⊗	CATCH BASIN
---	CHAIN LINK FENCE	⊗	DULVERT END
---	PROPERTY LINE	⊗	HYDRANT
---	RAILROAD TRACKS	⊗	CURB STOP
---	SILT FENCE	⊗	WATER VALVE
---	CONCRETE MONUMENT	⊗	BUTTERFLY VALVE
---	GRANITE MONUMENT	⊗	BLOW OFF
---	IRON PIPE	⊗	SIGN
---	IRON ROD	⊗	DOUBLE POST SIGN
---	CONTROL POINT	⊗	MAIL BOX
---	DRILL HOLE	⊗	ROLLARD
---	UTILITY POLE	⊗	CONTROLLER CABINET
---	UTILITY POLE WITH LIGHT	⊗	GAS GATE
---	TRAFFIC SPAN POLE	⊗	TELEPHONE BOX
---	ELECTRIC BOX	⊗	CATV TUBE
---	WETLAND FLAG	⊗	

PROJECT NUMBER  
 2020109

FILENAME  
 2020109-PLAN.DWG

NO.	DATE	FILE
-	06/14/22	FOR BIDDING

DRAWN BY: JL  
 CHECKED BY: KT  
 RELEASED BY: PK

DRAWING SCALE  
 HORIZONTAL: 1" = 30'  
 VERTICAL: 1" = 3'  
 OR AS NOTED

GRAPHIC SCALE

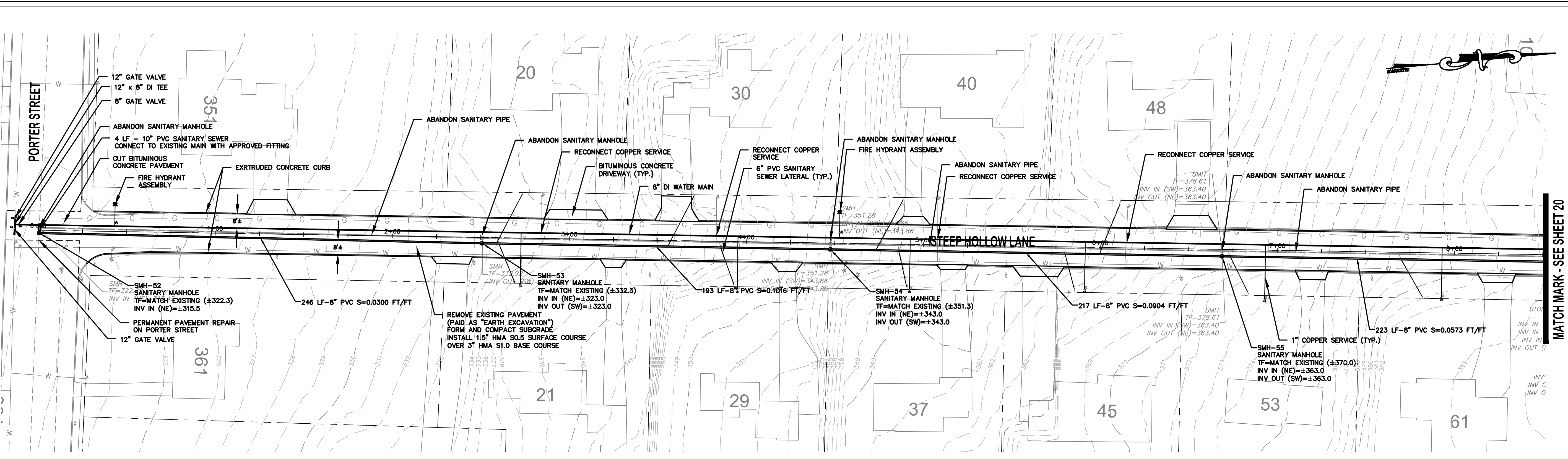
DATUM  
 HORIZONTAL: NAD83 VERTICAL: NAVD88

PROJECT LOCATION  
 BOULDER RD WARANOKE RD  
 RICHARD RD ADELAIDE RD  
 ELWOOD RD JEAN RD  
 ROBERT RD STEEP HOLLOW LN  
 RAYMOND RD

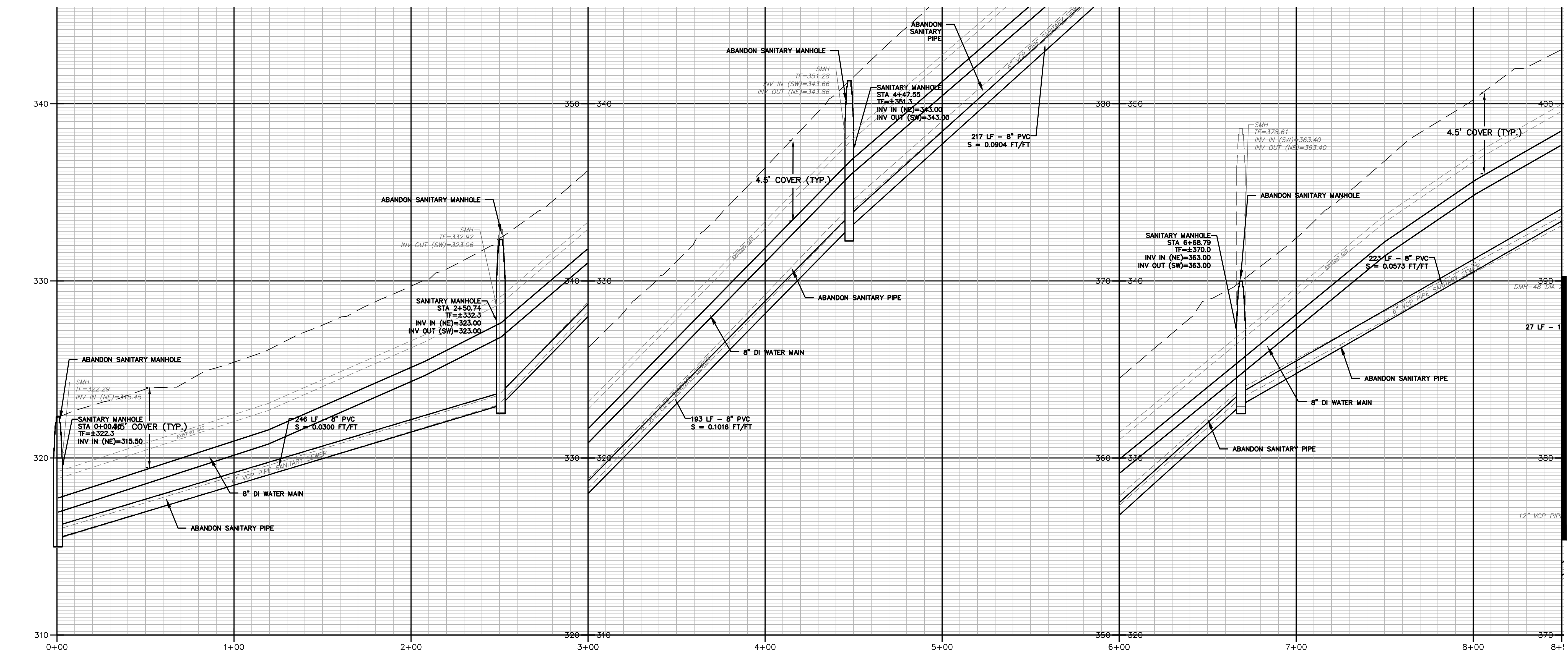
PROJECT TITLE  
**ROBERT ROAD  
 NEIGHBORHOOD  
 IMPROVEMENTS**

SHEET TITLE  
**PLAN AND PROFILE  
 STEEP HOLLOW LN**  
 STA 0+00 TO 8+50

SHEET NUMBER  
**19 of 27**



PLAN



PROFILE

MATCH MARK - SEE SHEET 20

MATCH MARK - SEE SHEET 20



TOWN OF MANCHESTER  
PUBLIC WORKS DEPARTMENT  
ENGINEERING DIVISION  
494 MAIN STREET - P.O. BOX 191  
MANCHESTER, CT 06045-0191

LEGEND

--- METLAND BOUNDARY	☆ LIGHT POLE
--- RETAINING WALL	⊗ CONIFEROUS TREE
--- STONE WALL	⊙ DECIDUOUS TREE
--- STOCKADE FENCE	⊙ SANITARY MANHOLE
--- WIRE FENCE	⊙ DRAINAGE MANHOLE
--- CHAIN LINK FENCE	⊙ CATCH BASIN
--- PROPERTY LINE	⊙ CULVERT END
--- RAILROAD TRACKS	⊙ HYDRANT
--- SILT FENCE	⊙ CURB STOP
--- CONCRETE MONUMENT	⊙ WATER VALVE
--- GRANITE MONUMENT	⊙ BUTTERFLY VALVE
--- IRON PIPE	⊙ BLOW OFF
--- IRON PIPE	⊙ SIGN
--- CONTROL POINT	⊙ DOUBLE POST SIGN
--- DRILL HOLE	⊙ MAIL BOX
--- UTILITY POLE	⊙ BOLLARD
--- UTILITY POLE WITH LIGHT	⊙ CONTROLLER CABINET
--- TRAFFIC SPAN POLE	⊙ GAS GATE
--- ELECTRIC BOX	⊙ TELEPHONE BOX
--- METLAND FLAG	⊙ CATV TUBE

PROJECT NUMBER  
2020109

FILENAME  
2020109-PLAN.DWG

NO.	DATE	FILE
-	06/14/22	FOR BIDDING

DRAWN BY: JL  
CHECKED BY: KT  
RELEASED BY: PK

DRAWING SCALE  
HORIZONTAL: 1" = 30'  
VERTICAL: 1" = 3'  
OR AS NOTED  
30 15 0 30  
GRAPHIC SCALE

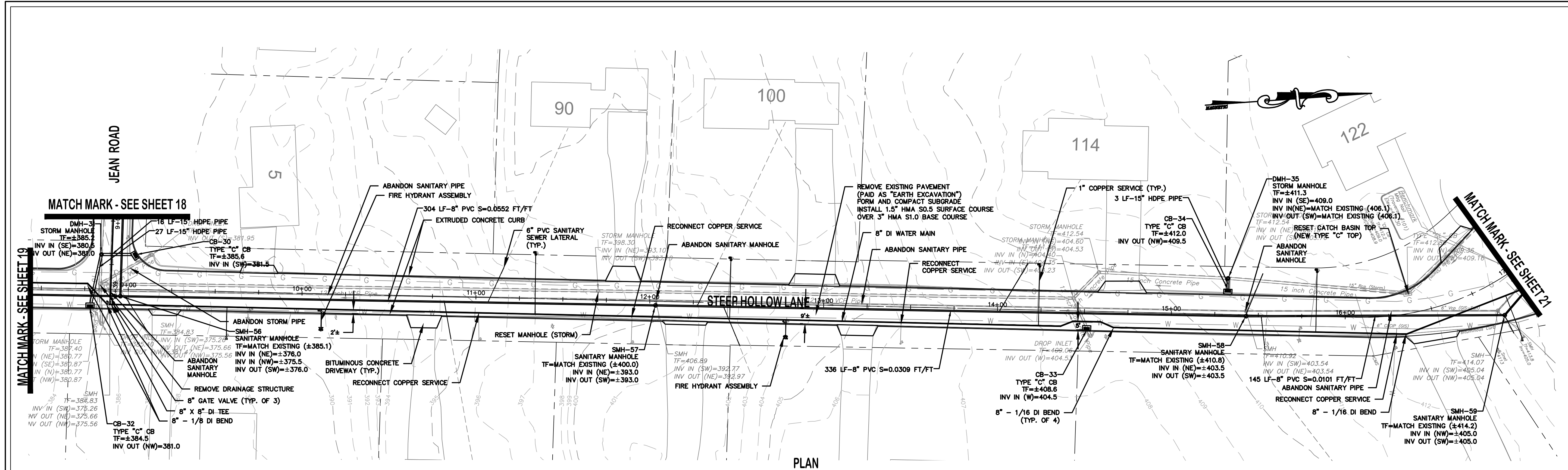
DATUM  
HORIZONTAL: NAD83 VERTICAL: NAVD88

PROJECT LOCATION  
BOULDER RD WARANOKE RD  
RICHARD RD ADELAIDE RD  
ELWOOD RD JEAN RD  
ROBERT RD STEEP HOLLOW LN  
RAYMOND RD

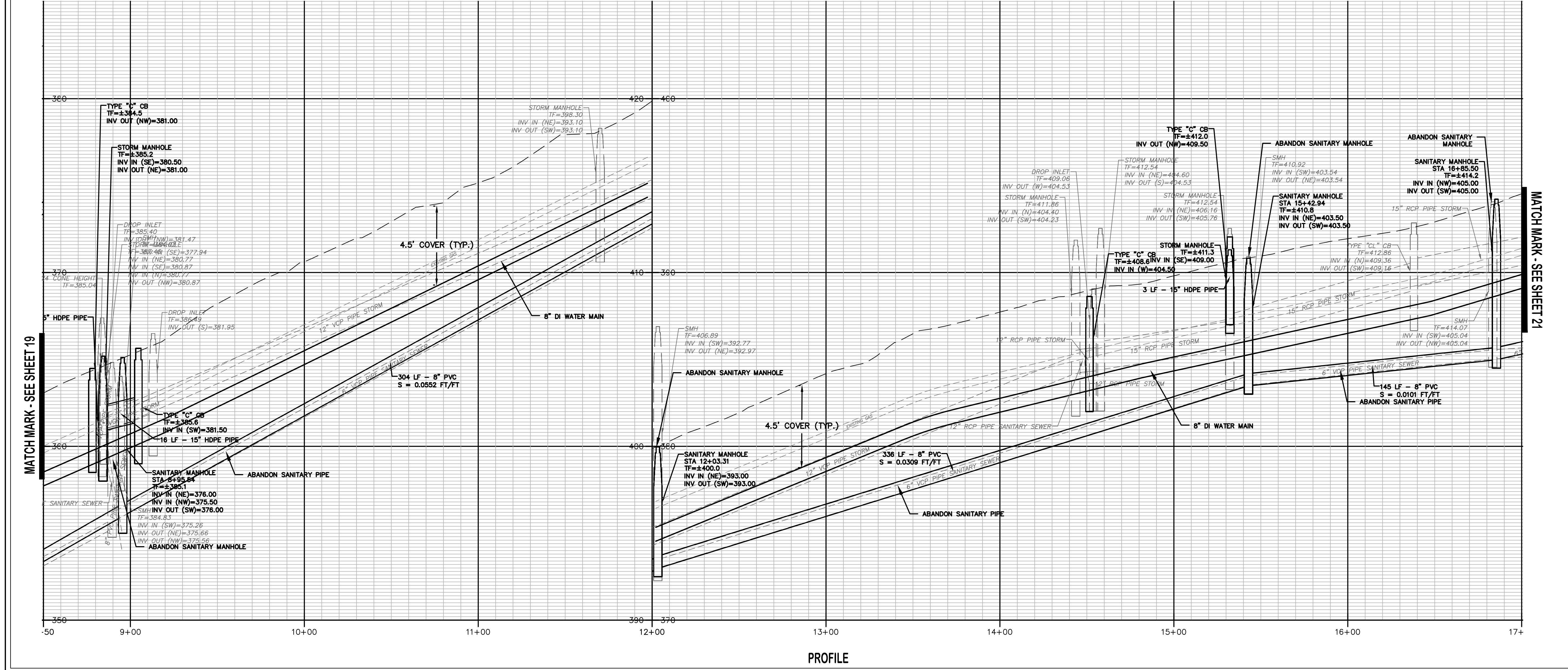
PROJECT TITLE  
**ROBERT ROAD  
NEIGHBORHOOD  
IMPROVEMENTS**

SHEET TITLE  
**PLAN AND PROFILE  
STEEP HOLLOW LN**  
STA 8+50 TO 17+00

SHEET NUMBER  
**20 of 27**



PLAN



PROFILE



TOWN OF MANCHESTER  
PUBLIC WORKS DEPARTMENT  
ENGINEERING DIVISION  
494 MAIN STREET - P.O. BOX 191  
MANCHESTER, CT 06045-0191

LEGEND

--- WETLANDS BOUNDARY	☆ LIGHT POLE
--- RETAINING WALL	⊗ CONIFEROUS TREE
--- GUEE WALL	⊗ DEODIOUS TREE
--- STONE WALL	⊗ SANITARY MANHOLE
--- STOCKADE FENCE	⊗ DRAINAGE MANHOLE
--- WIRE FENCE	⊗ CATCH BASIN
--- CHAIN LINK FENCE	⊗ CULVERT END
--- PROPERTY LINE	⊗ HYDRANT
--- RAILROAD TRACKS	⊗ CURB STOP
--- SILT FENCE	⊗ WATER VALVE
⊗ CONCRETE MONUMENT	⊗ BUTTERFLY VALVE
⊗ GRANITE MONUMENT	⊗ BLOW OFF
⊗ IRON PIPE	⊗ SIGN
⊗ IRON ROD	⊗ DOUBLE POST SIGN
⊗ CONTROL POINT	⊗ MAIL BOX
⊗ DRILL HOLE	⊗ BOLLARD
⊗ UTILITY POLE	⊗ CONTROLLER CABINET
⊗ UTILITY POLE WITH LIGHT	⊗ GAS GATE
⊗ TRAFFIC SPAN POLE	⊗ TELEPHONE BOX
⊗ ELECTRIC BOX	⊗ WETLAND FLAG
⊗ CATV TUBE	

PROJECT NUMBER  
**2020109**

FILENAME  
**2020109-PLAN.DWG**

NO.	DATE	FILE
-	06/14/22	FOR BIDDING

DRAWN BY: JL  
CHECKED BY: KT  
RELEASED BY: PK

DRAWING SCALE  
HORIZONTAL: 1" = 30'  
VERTICAL: 1" = 3'  
OR AS NOTED

GRAPHIC SCALE

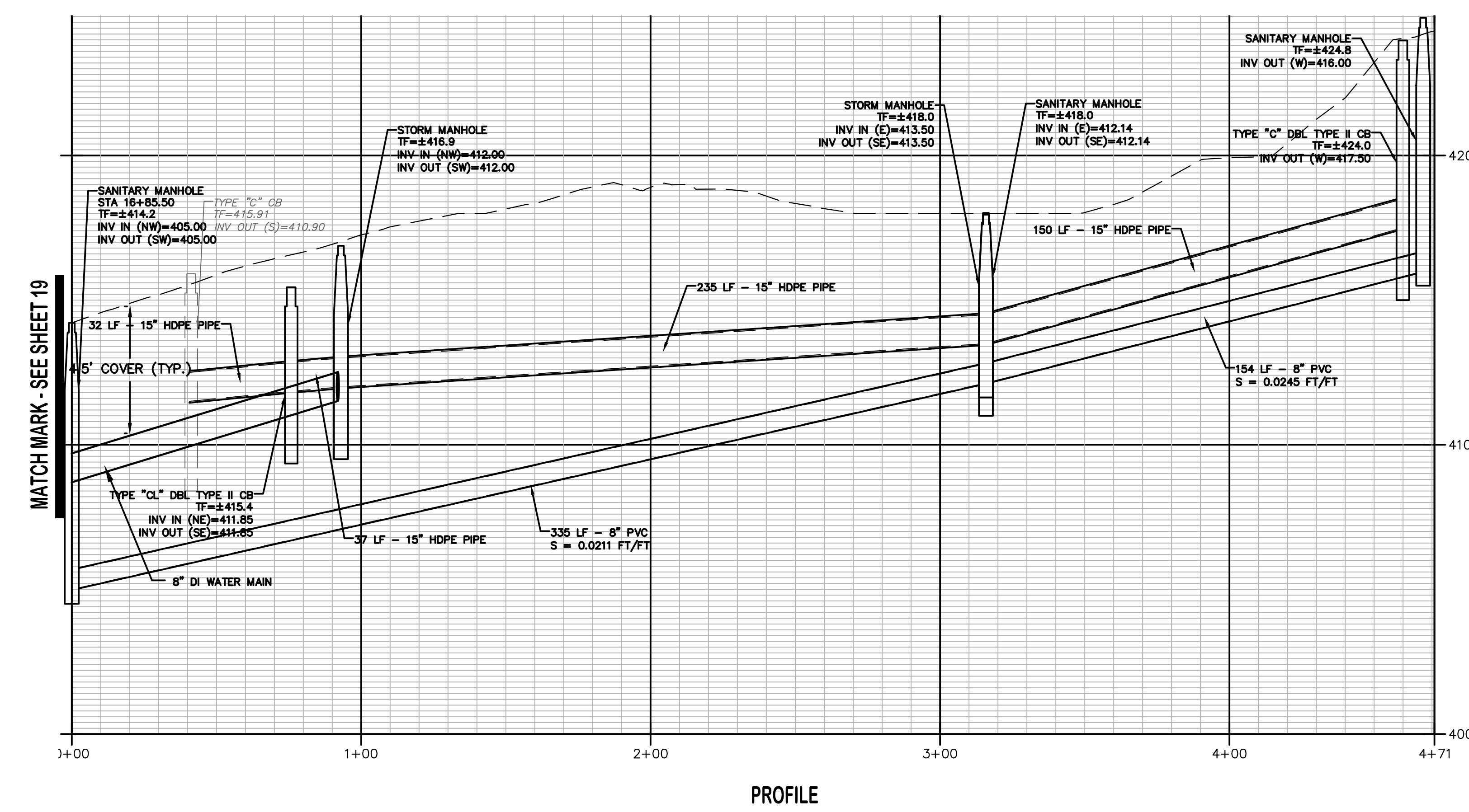
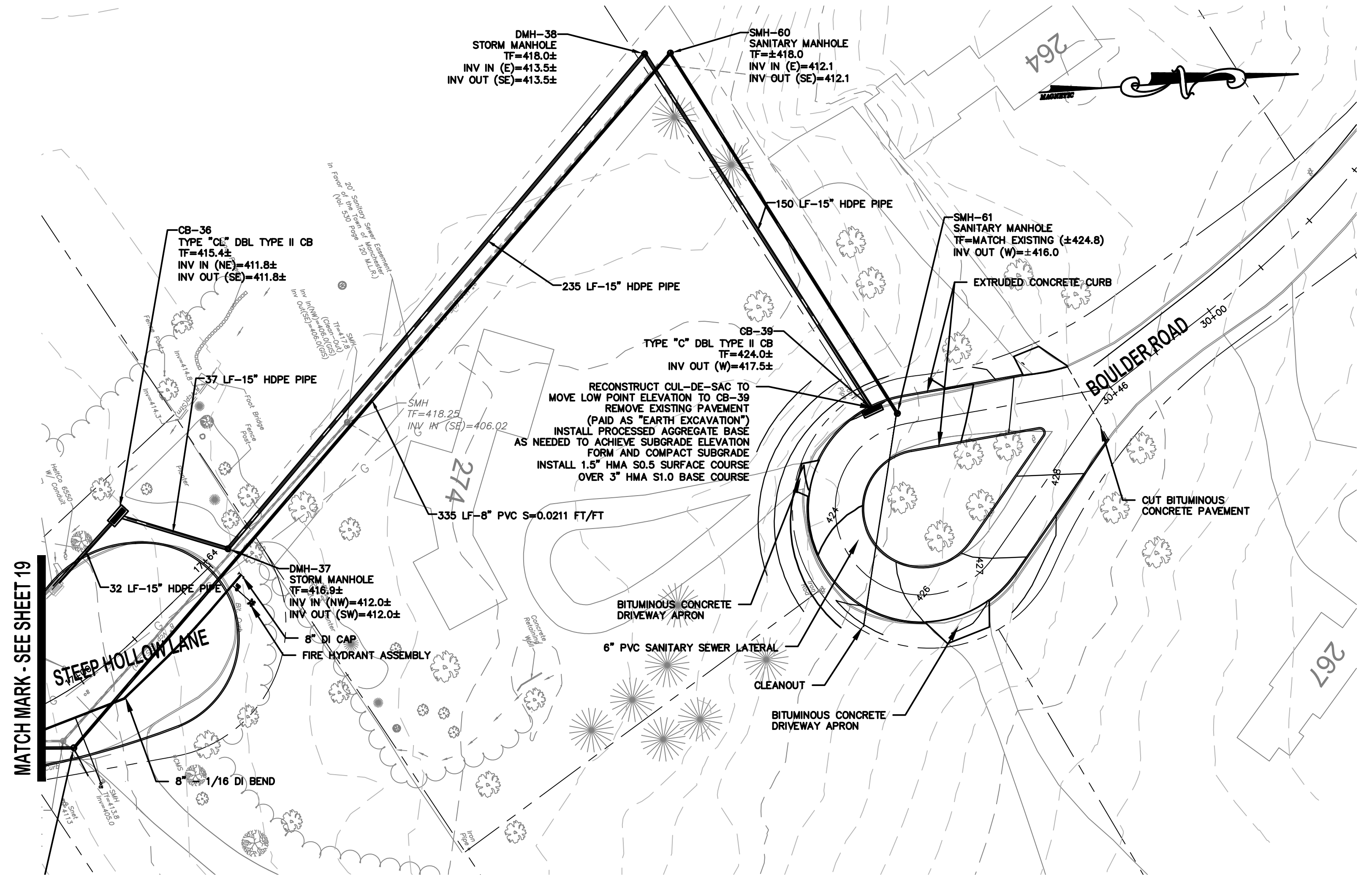
DATUM  
HORIZONTAL: NAD83 VERTICAL: NAVD88

PROJECT LOCATION  
BOULDER RD WARANOKE RD  
RICHARD RD ADELAIDE RD  
ELWOOD RD JEAN RD  
ROBERT RD STEEP HOLLOW LN  
RAYMOND RD

PROJECT TITLE  
**ROBERT ROAD  
NEIGHBORHOOD  
IMPROVEMENTS**

SHEET TITLE  
**PLAN AND PROFILE  
CROSS COUNTRY  
STEEP HOLLOW LANE  
TO BOULDER ROAD**

SHEET NUMBER  
**21 of 27**





TOWN OF MANCHESTER  
PUBLIC WORKS DEPARTMENT  
ENGINEERING DIVISION  
494 MAIN STREET - P.O. BOX 191  
MANCHESTER, CT 06045-0191

LEGEND

- - -	WETLANDS BOUNDARY	☆	LIGHT POLE		
- - -	RETAINING WALL	⊗	CONIFEROUS TREE		
⊘	STONE WALL	⊗	DECIDUOUS TREE		
⊘	STOCKADE FENCE	⊗	SANITARY MANHOLE		
⊘	WIRE FENCE	⊗	DRAINAGE MANHOLE		
⊘	CHAIN LINK FENCE	⊗	CATCH BASIN		
⊘	PROPERTY LINE	⊗	CULVERT END		
⊘	RAILROAD TRACKS	⊗	HYDRANT		
⊘	SILT FENCE	⊗	CURB STOP		
⊘	CONCRETE MONUMENT	⊗	WATER VALVE		
⊘	GRANITE MONUMENT	⊗	BUTTERFLY VALVE		
⊘	IRON PIPE	⊗	BLOW OFF		
⊘	IRON ROD	⊗	⊗	⊗	SIGN
⊘	CONTROL POINT	⊗	⊗	⊗	DOUBLE POST SIGN
⊘	DRILL HOLE	⊗	⊗	⊗	MAIL BOX
⊘	UTILITY POLE	⊗	⊗	⊗	BOLLARD
⊘	UTILITY POLE WITH LIGHT	⊗	⊗	⊗	CONTROLLER CABINET
⊘	ELECTRIC BOX	⊗	⊗	⊗	GAS GATE
⊘	WETLAND FLAG	⊗	⊗	⊗	TELEPHONE BOX
⊘		⊗	⊗	⊗	CATV TUBE

PROJECT NUMBER  
2020109

FILENAME  
2020109-PLAN.DWG

NO.	DATE	FILE
-	06/14/22	FOR BIDDING

DRAWN BY: JL  
CHECKED BY: KT  
RELEASED BY: PK

DRAWING SCALE  
HORIZONTAL: 1" = 30' VERTICAL: 1" = 3'  
OR AS NOTED  
30 15 0 30  
GRAPHIC SCALE

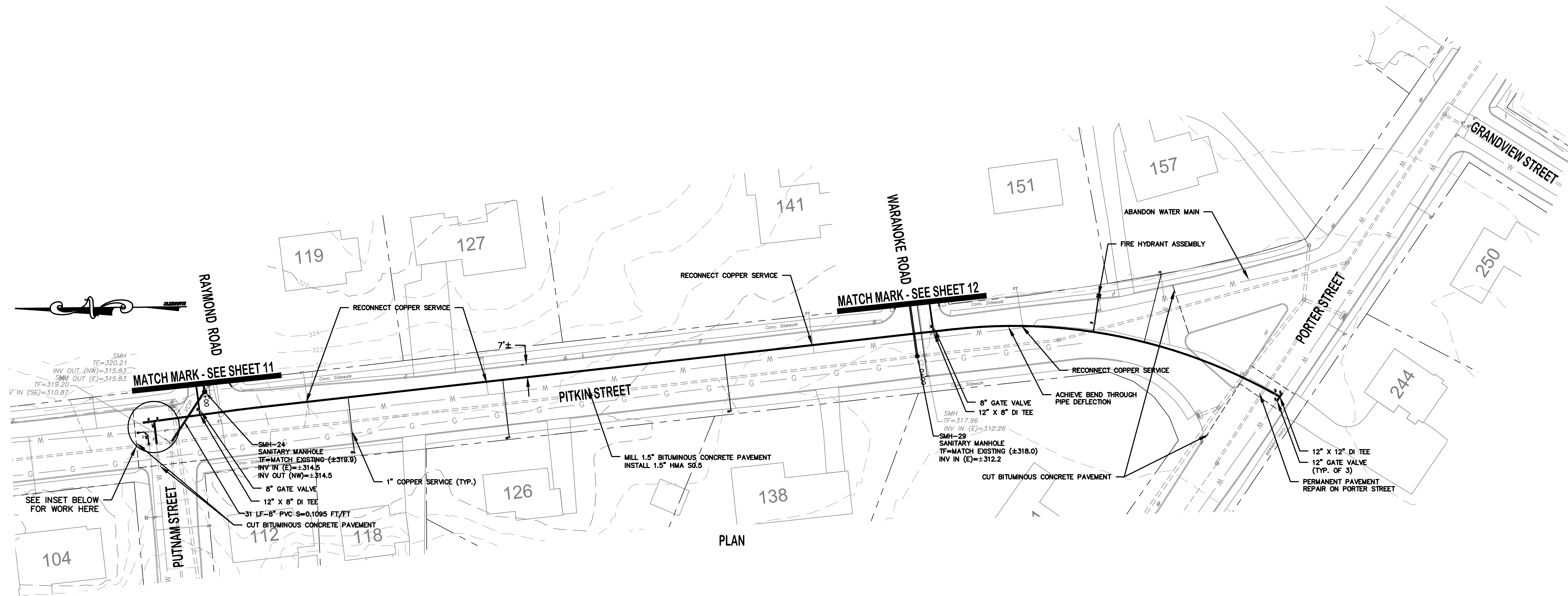
DATUM  
HORIZONTAL: NAD83 VERTICAL: NAVD88

PROJECT LOCATION  
BOULDER RD WARANOKE RD  
RICHARD RD ADELAIDE RD  
ELWOOD RD JEAN RD  
ROBERT RD STEEP HOLLOW LN  
RAYMOND RD

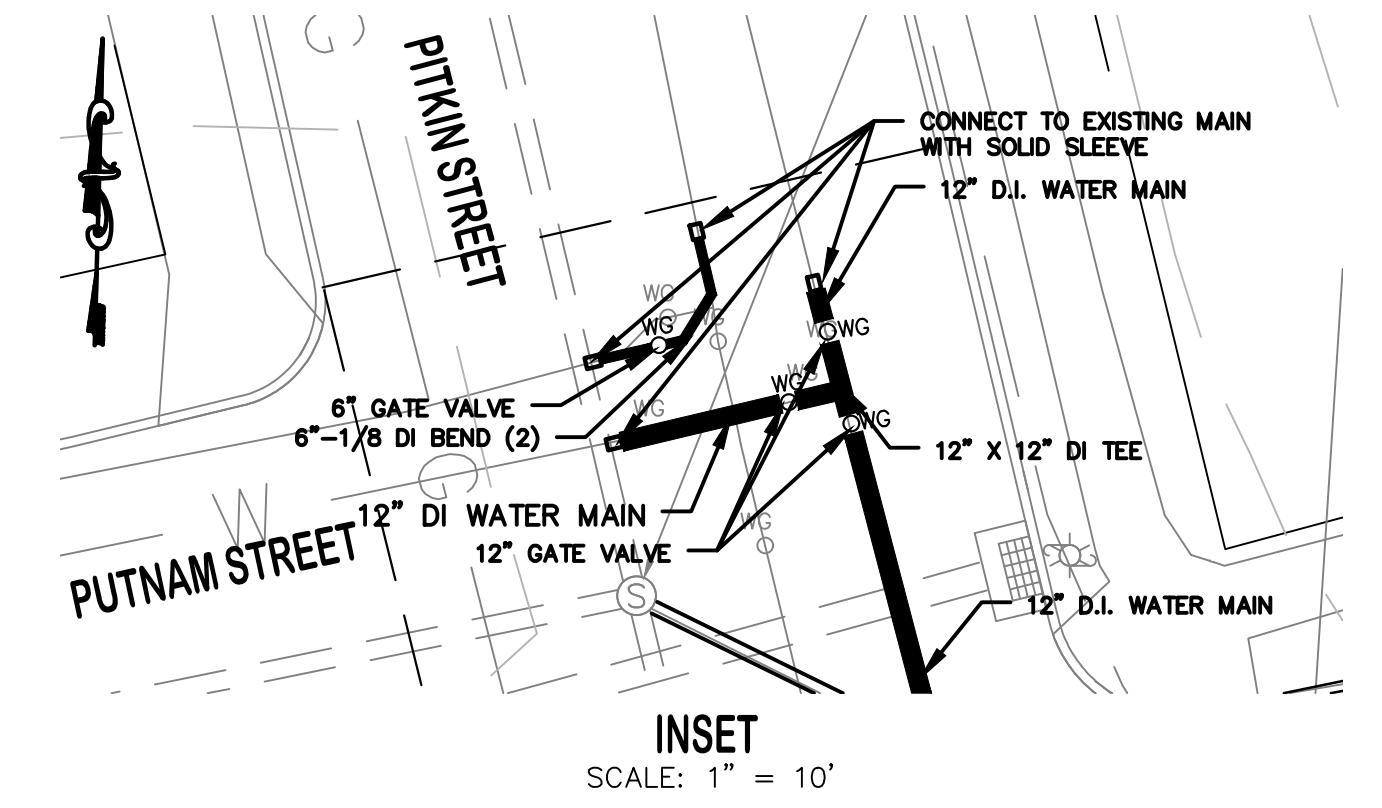
PROJECT TITLE  
**ROBERT ROAD  
NEIGHBORHOOD  
IMPROVEMENTS**

SHEET TITLE  
**PLAN  
PITKIN STREET**

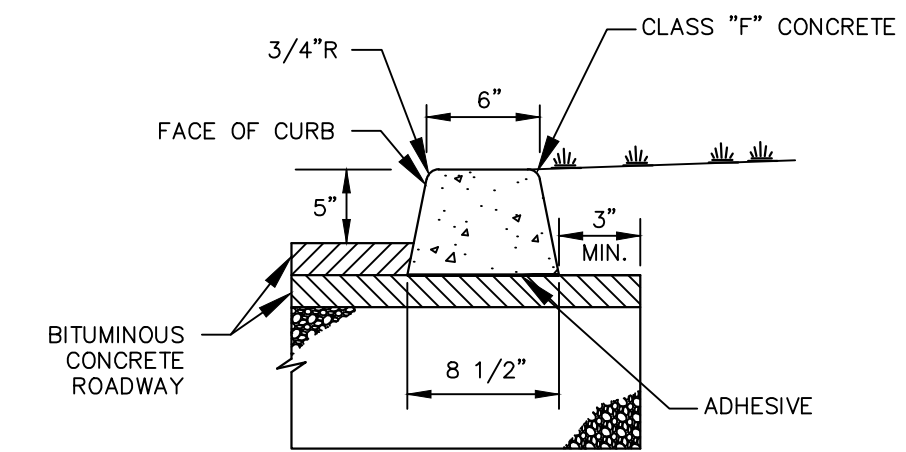
SHEET NUMBER  
**22 of 27**



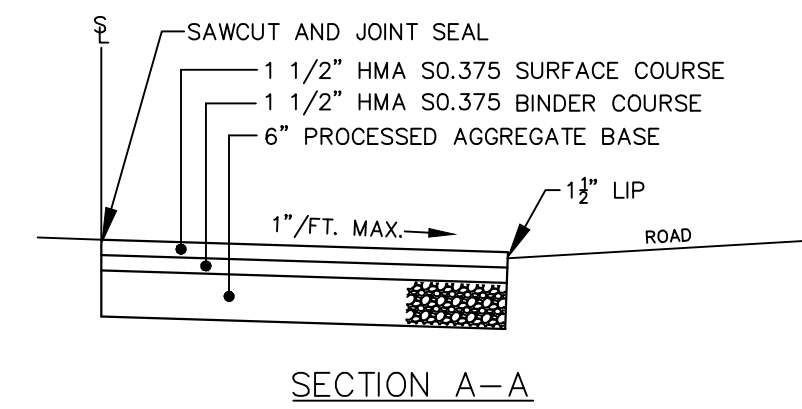
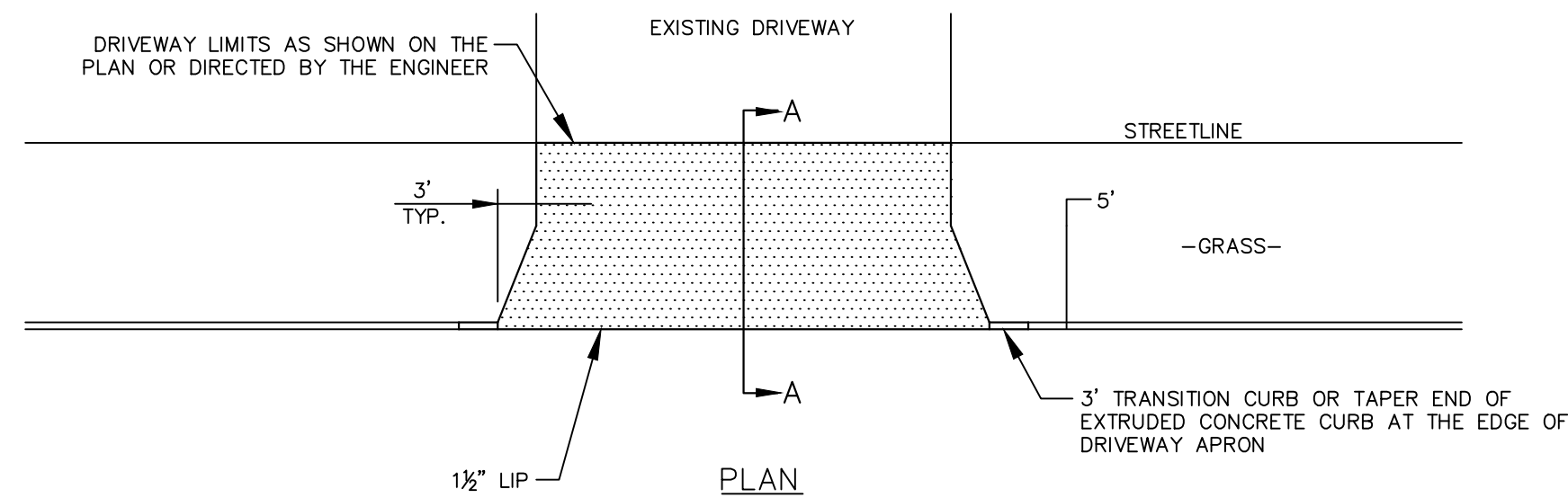
PLAN



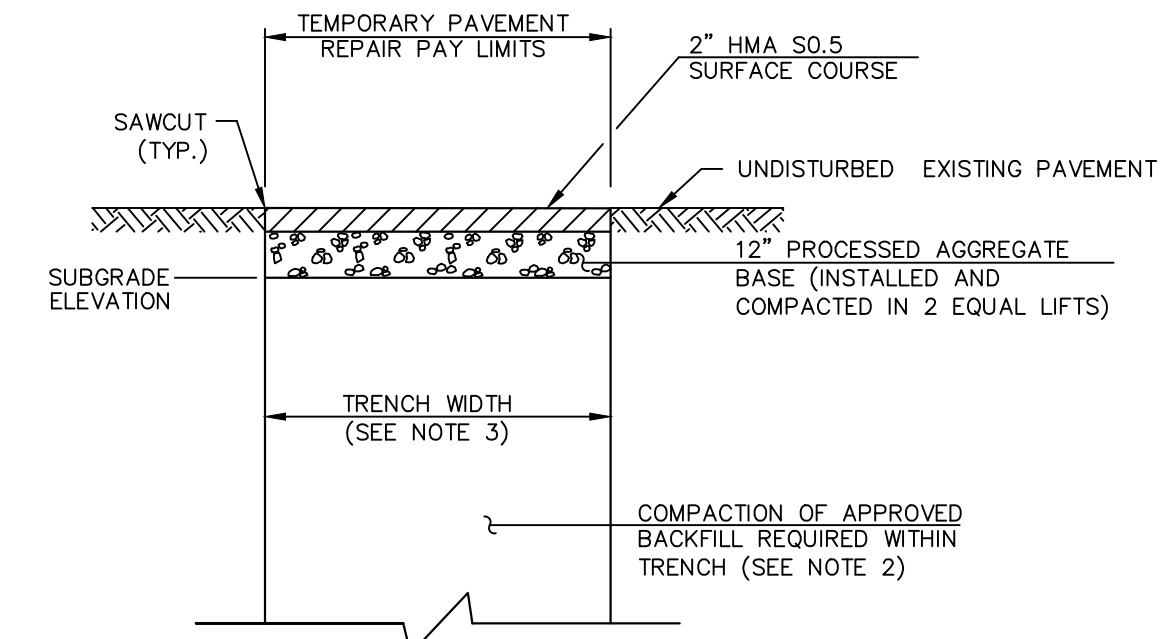
INSET  
SCALE: 1" = 10'



**EXTRUDED CONCRETE CURB**  
NOT TO SCALE

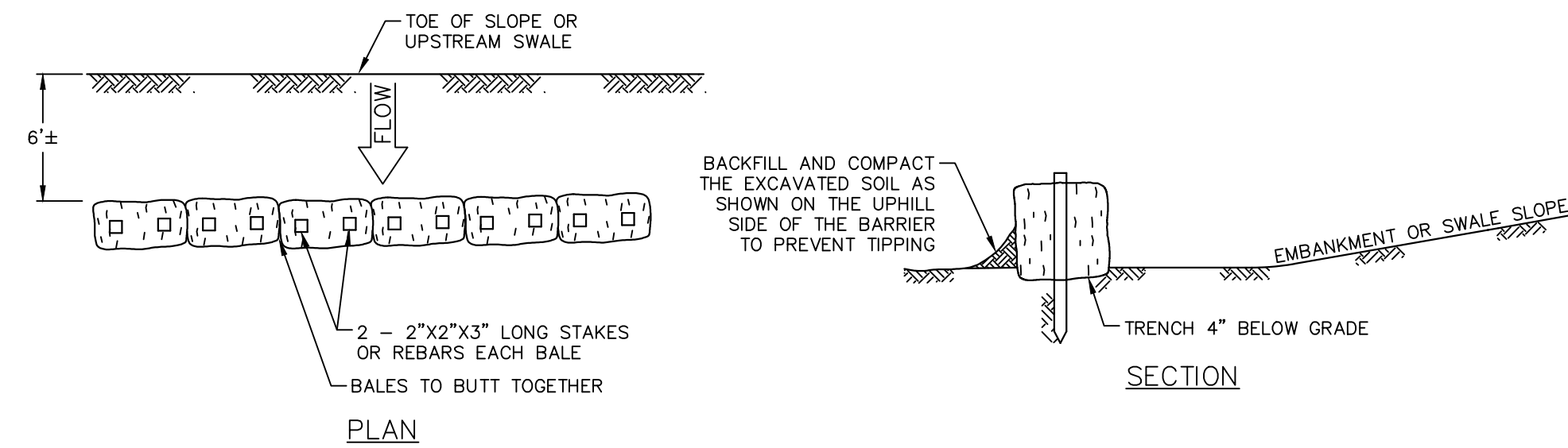


**BITUMINOUS CONCRETE DRIVEWAY APRON**  
(PAY ITEM: "BITUMINOUS CONCRETE DRIVEWAY")  
NOT TO SCALE



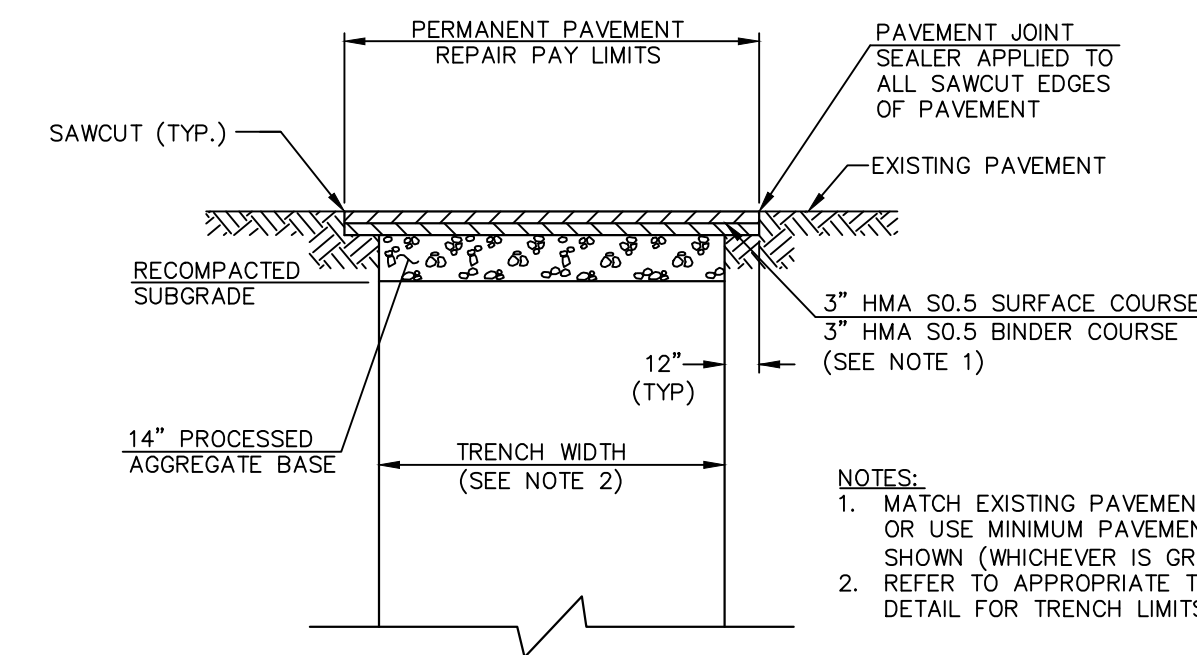
- NOTES:
- CONTRACTOR SHALL MAKE TEMPORARY PAVEMENT REPAIRS ALONG CONCRETE SIDEWALK AND CURB MONOLITHIC, SIDEWALK RAMPS, CONCRETE DRIVEWAY APRONS, PRECAST CONCRETE CURBS, DRAINAGE INSTALLATIONS AND OTHER AREAS IDENTIFIED BY THE ENGINEER TO STABILIZE THE SURFACE WHEN REMAINING ROAD RECONSTRUCTION WORK WILL NOT BE COMPLETED FOR AN EXTENDED PERIOD OF TIME. THESE TEMPORARY REPAIRS SHALL ONLY BE INSTALLED WHERE REQUIRED BY THE ENGINEER.
  - WHEN REQUESTED BY THE TOWN, THE CONTRACTOR SHALL VERIFY AND SUBMIT TEST RESULTS CONFIRMING THAT COMPACTION OF THE TOTAL TRENCH AREA MEETS TOWN STANDARDS FOR 95% COMPACTED DENSITY.
  - REFER TO APPROPRIATE TRENCH DETAIL FOR TRENCH LIMITS.

**TEMPORARY PAVEMENT REPAIR**  
NOT TO SCALE



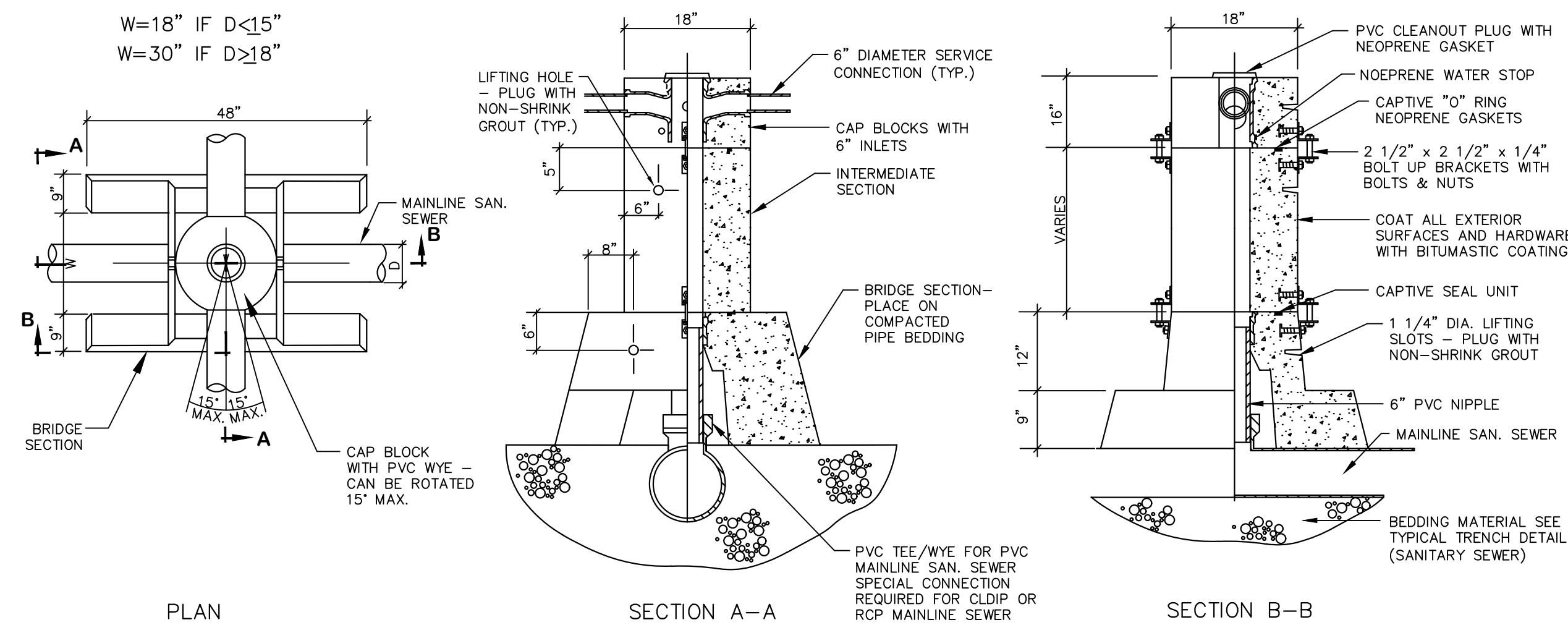
- NOTES:
- HAYBALES SHALL BE MAINTAINED AND/OR REPLACED AS REQUIRED OR AS DIRECTED BY THE TOWN.
  - PLACE HAYBALES SUCH THAT TWINE OR BINDING WIRE IS PARALLEL TO THE EXISTING GROUND.

**HAYBALE INSTALLATION**  
NOT TO SCALE

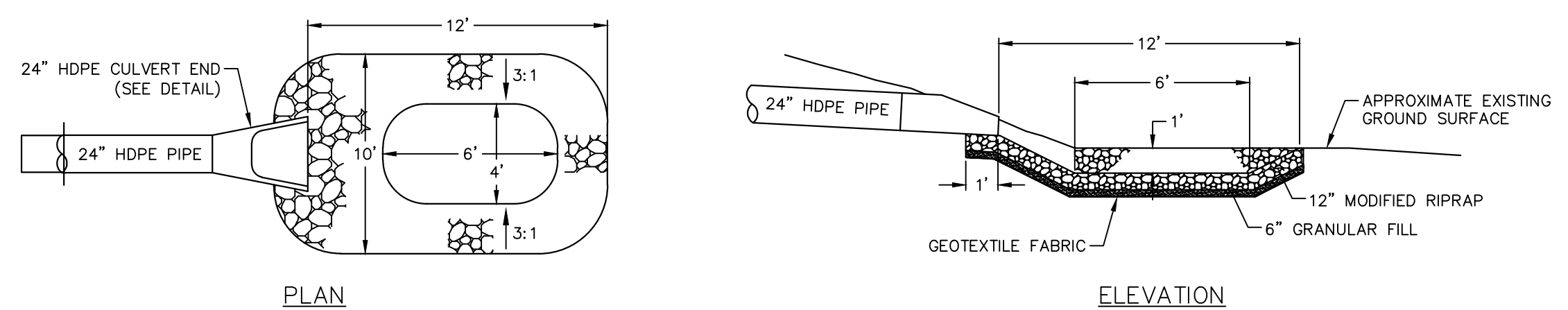


- NOTES:
- MATCH EXISTING PAVEMENT THICKNESS OR USE MINIMUM PAVEMENT THICKNESS SHOWN (WHICHEVER IS GREATER).
  - REFER TO APPROPRIATE TRENCH DETAIL FOR TRENCH LIMITS.

**PERMANENT PAVEMENT REPAIR**  
(COLLECTOR ROAD)  
NOT TO SCALE



**PRECAST CONCRETE CHIMNEY**  
NOT TO SCALE



**PREFORMED SCOUR HOLE - TYPE 1**  
(PAY ITEM: "MODIFIED RIPRAP")  
NOT TO SCALE



TOWN OF MANCHESTER  
PUBLIC WORKS DEPARTMENT  
ENGINEERING DIVISION  
494 MAIN STREET - P.O. BOX 191  
MANCHESTER, CT 06045-0191

LEGEND

—	WETLAND BOUNDARY	☆	LIGHT POLE
—	RETAINING WALL	⊗	CONIFEROUS TREE
—	GRASS HAIL	⊗	DECIDUOUS TREE
—	STONE WALL	⊗	SANITARY MANHOLE
—	STOCKADE FENCE	⊗	DRAINAGE MANHOLE
—	WIRE FENCE	⊗	CATCH BASIN
—	CHAIN LINK FENCE	⊗	CULVERT END
—	PROPERTY LINE	⊗	HYDRANT
—	RAILROAD TRACKS	⊗	CURB STOP
—	SILT FENCE	⊗	WATER VALVE
□	CONCRETE MONUMENT	⊗	BUTTERFLY VALVE
■	GRANITE MONUMENT	⊗	BLOW OFF
○	IRON PIPE	⊗	SIGN
●	IRON ROD	⊗	DOUBLE POST SIGN
△	CONTROL POINT	⊗	MAIL BOX
○	DRILL HOLE	⊗	BOLLARD
○	UTILITY POLE	⊗	CONTROLLER CABINET
○	UTILITY POLE WITH LIGHT	⊗	GAS GATE
⊗	TRAFFIC SPAN POLE	⊗	TELEPHONE BOX
⊗	ELECTRIC BOX	⊗	CATV TUBE
⊗	WETLAND FLAG	⊗	

PROJECT NUMBER  
2020109

FILENAME  
2020109-DETAILS.DWG

NO.	DATE	FILE
—	06/14/22	FOR BIDDING

DRAWN BY: JL  
CHECKED BY: KT  
RELEASED BY: PK

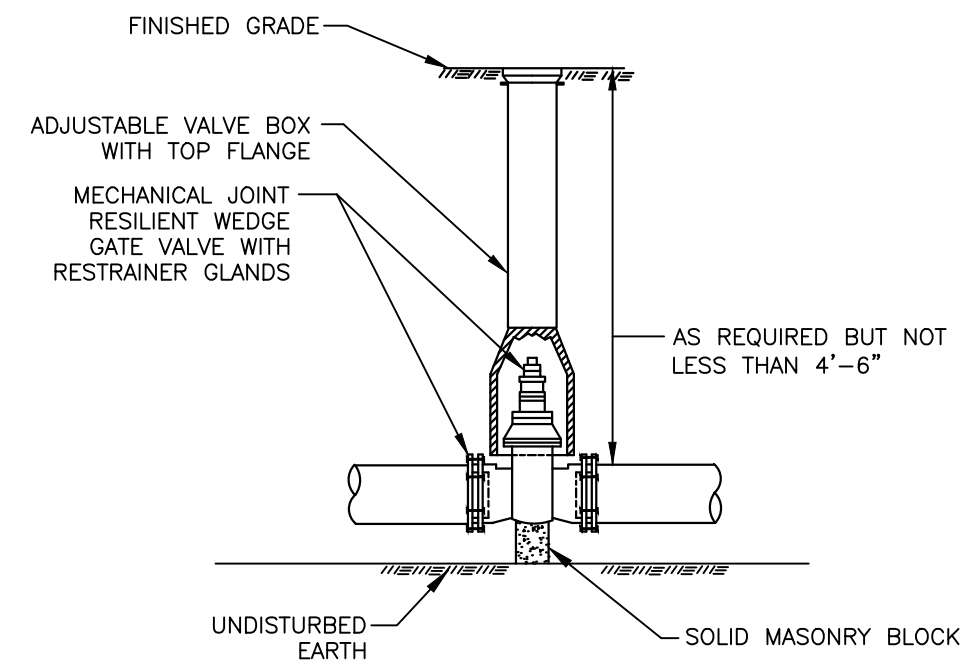
DATUM  
HORIZONTAL: NAD83 VERTICAL: NAVD88

PROJECT LOCATION  
BOULDER RD WARANOKE RD  
RICHARD RD ADELAIDE RD  
ELWOOD RD JEAN RD  
ROBERT RD STEEP HOLLOW LN  
RAYMOND RD

PROJECT TITLE  
**ROBERT ROAD NEIGHBORHOOD IMPROVEMENTS**

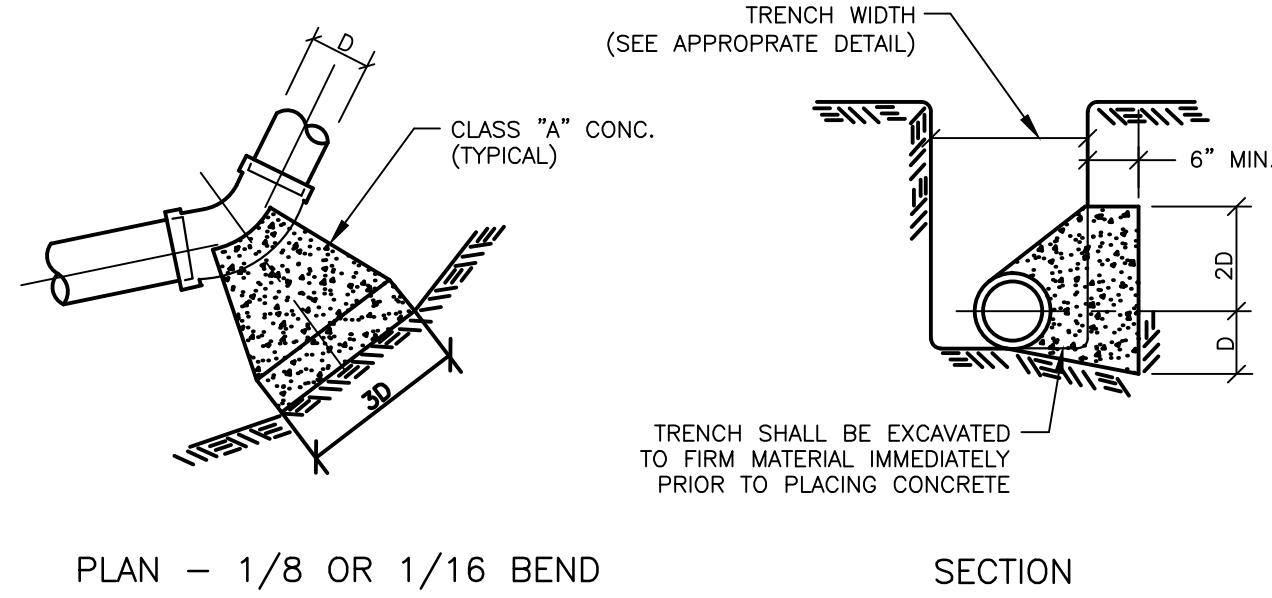
SHEET TITLE  
**DETAILS**

SHEET NUMBER  
**23 of 27**

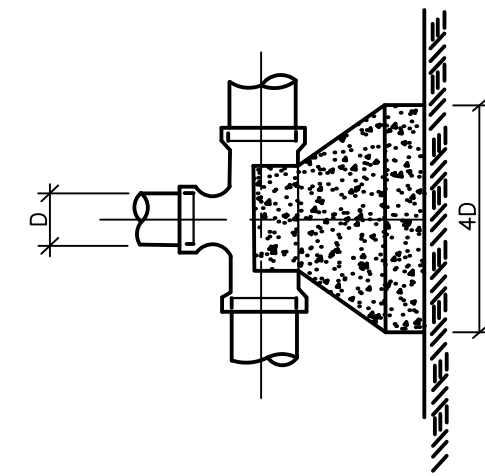


**WATER GATE VALVE**

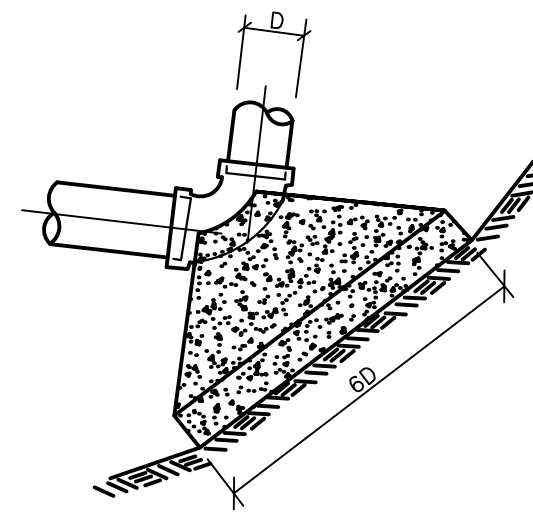
NOT TO SCALE



PLAN - 1/8 OR 1/16 BEND



PLAN - TEE

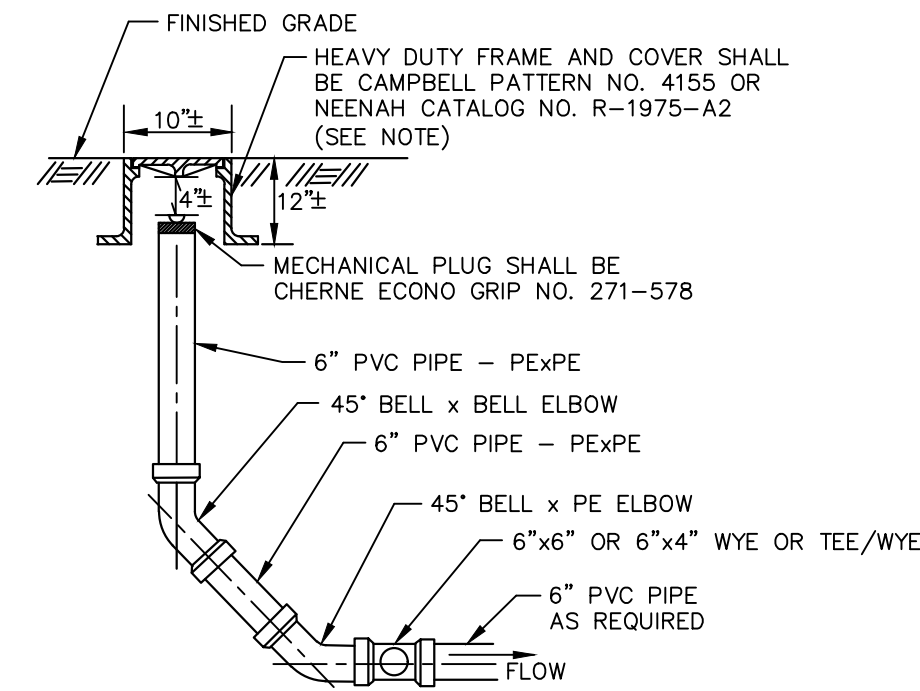


PLAN - 1/4 BEND

NOTE: ALL JOINTS AT THRUST BLOCKS SHALL BE WRAPPED IN POLYETHYLENE ENCASUREMENT CONFORMING TO AWMA C105 OF LATEST REVISION.

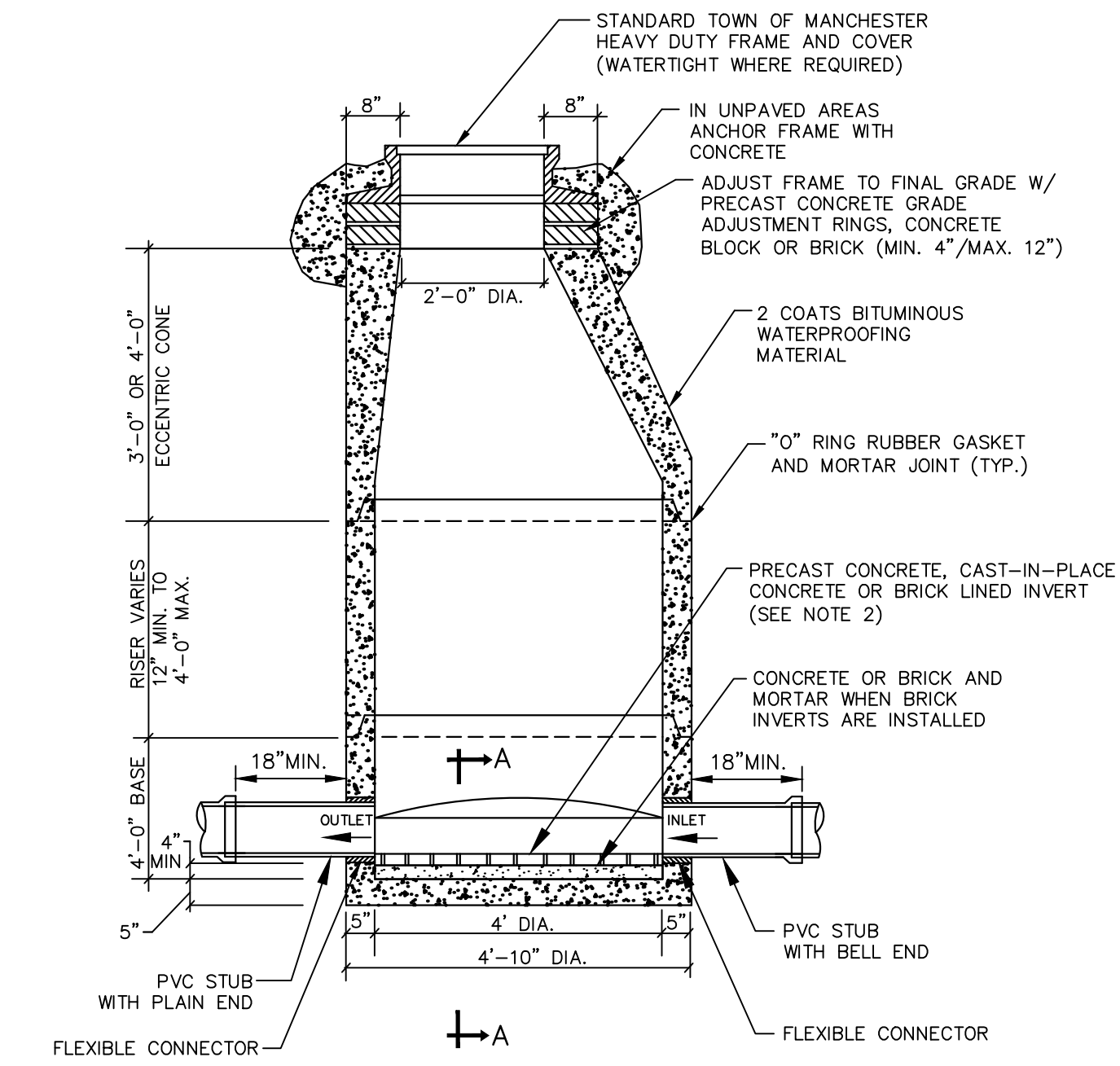
**CONCRETE THRUST BLOCK**

NOT TO SCALE



**SANITARY SEWER CLEANOUT**

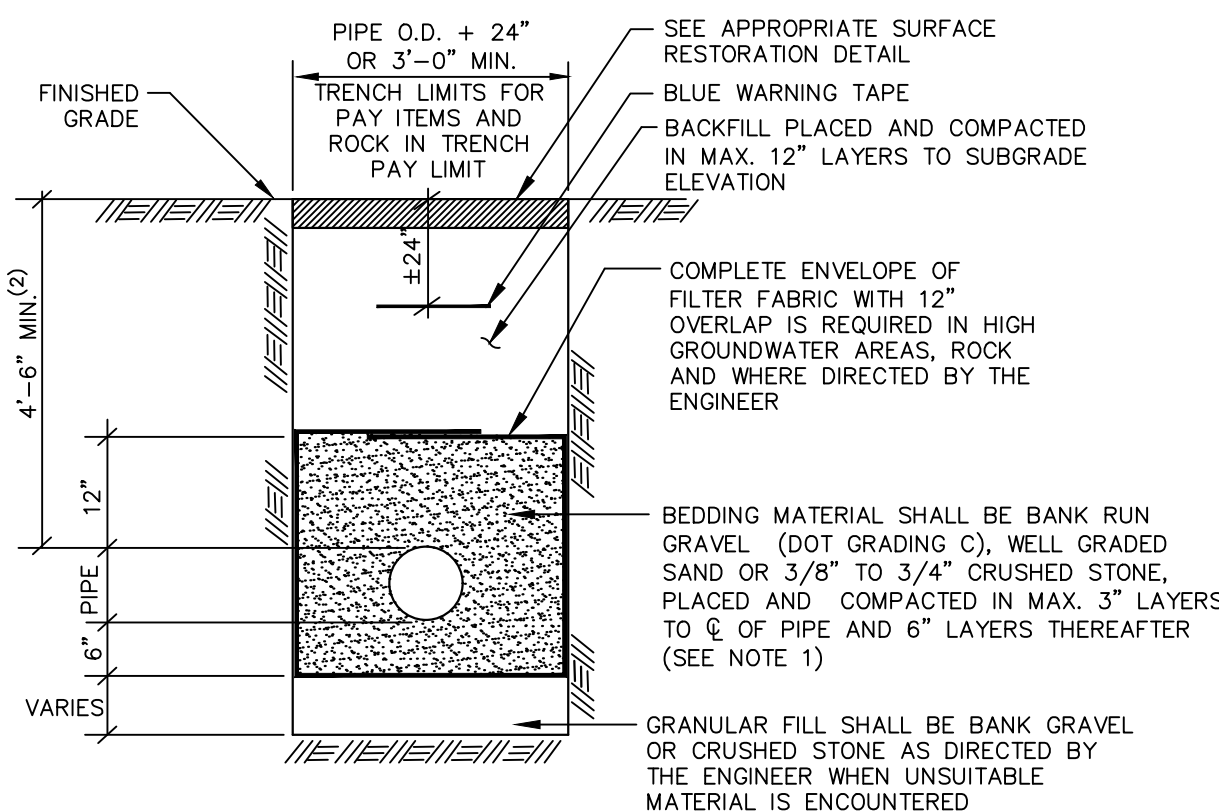
NOT TO SCALE



**48\"/>**

NOT TO SCALE

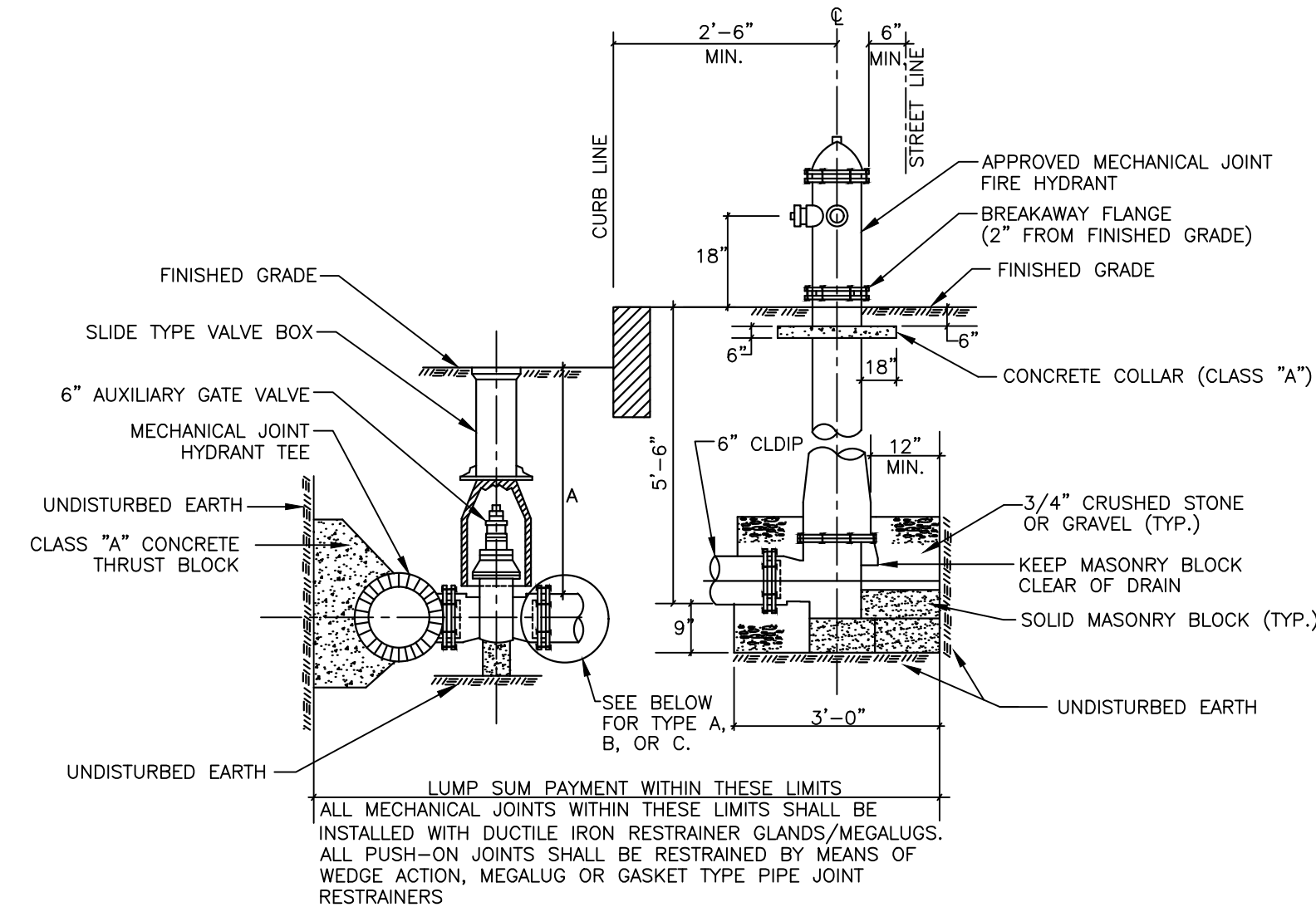
NOTES:  
1. MAXIMUM PIPE SIZE TO BE USED IN 4' DIA. MANHOLE IS 24".  
2. BRICK INVERT CONSTRUCTION IS SHOWN; HOWEVER, PRECAST OR CAST-IN-PLACE CONCRETE INVERTS SHALL BE INSTALLED UNLESS DIRECTED OTHERWISE BY THE ENGINEER.



**TYPICAL TRENCH DETAIL (WATER)**

NOT TO SCALE

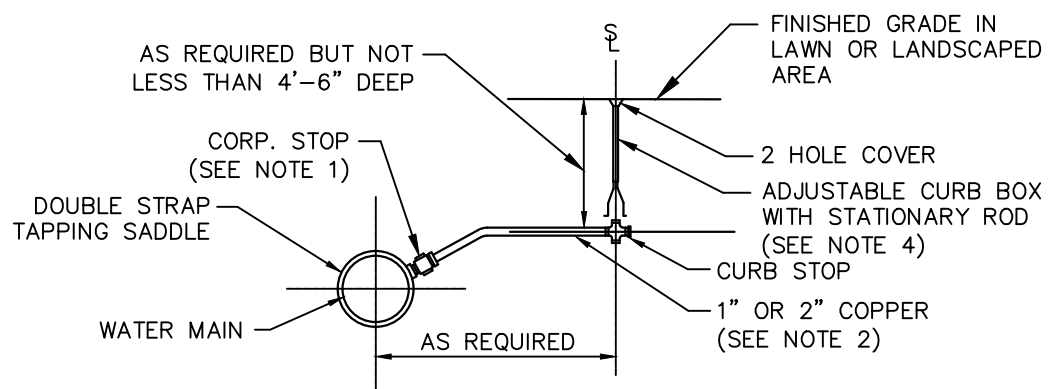
NOTES:  
1. CRUSHED STONE SHALL ONLY BE USED IN HIGH GROUNDWATER CONDITIONS AS DIRECTED BY THE ENGINEER.  
2. ALL WATER MAIN WITH LESS THAN 4'-6" OF COVER SHALL BE INSULATED UNLESS APPROVED OTHERWISE BY THE ENGINEER. SEE TYPICAL TRENCH DETAIL (INSULATED WATER) FOR ADDITIONAL INFORMATION.



**TYPICAL TRENCH DETAIL (SANITARY SEWER)**

NOT TO SCALE

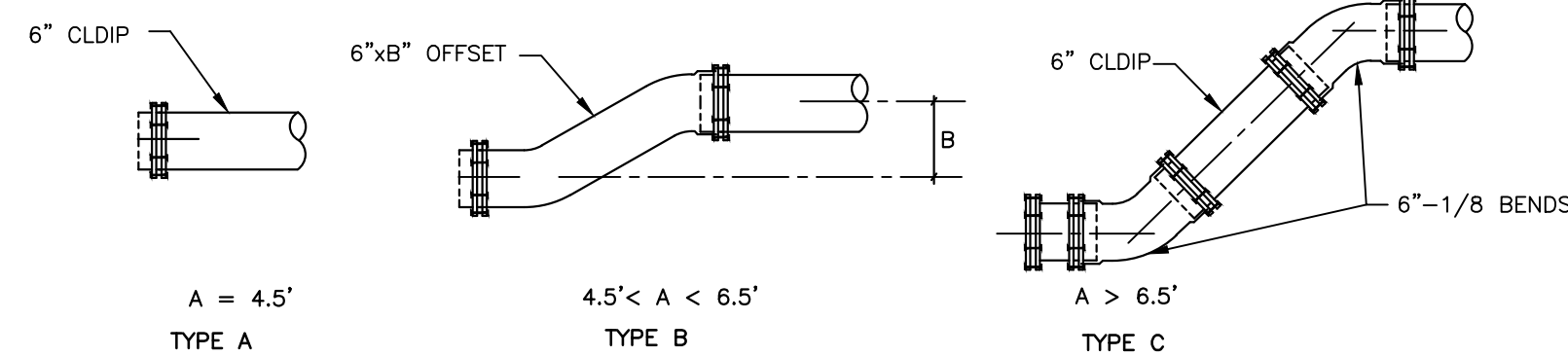
NOTE: IN ALL OTHER AREAS, AT A MINIMUM, BEDDING MATERIAL SHALL EXTEND TO THE TOP OF THE PIPE AND BE COVERED WITH FILTER FABRIC ACROSS THE ENTIRE WIDTH OF THE TRENCH.



**TYPICAL WATER SERVICE CONNECTION**

NOT TO SCALE

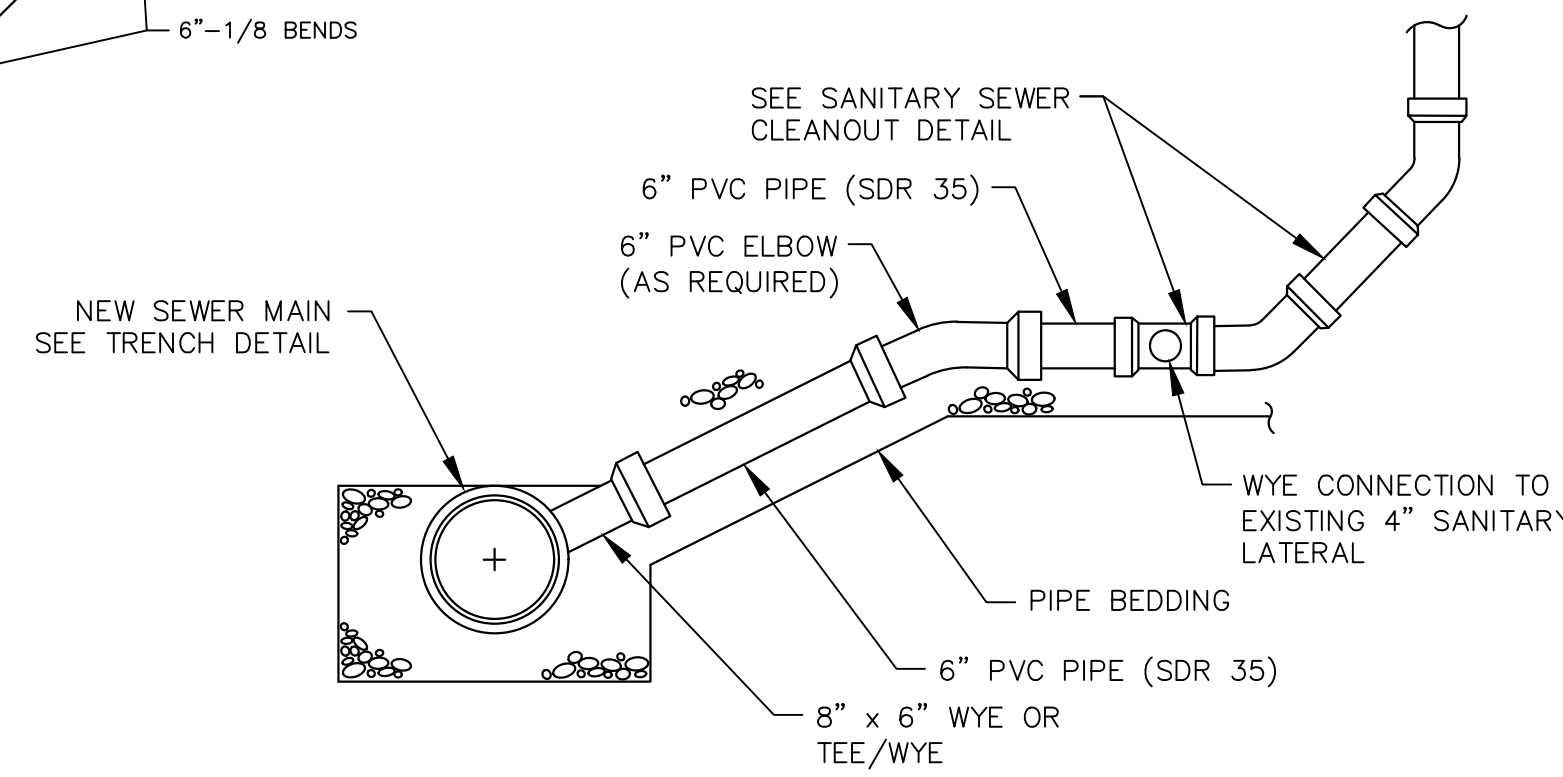
NOTES:  
1. THE TOP OF THE CORPORATION AND THE FIRST THREE (3) FEET OF COPPER TUBING SHALL BE INSTALLED NO HIGHER THAN THE TOP OF THE WATER MAIN.  
2. NO INTERMEDIATE SIZES (i.e. 3/4", 1 1/2", 1 3/4") ARE ALLOWED FOR COPPER SERVICES. ANY SERVICE REQUIREMENT GREATER THAN 2" COPPER SHALL BE CLDIP (4" MIN.) WITH THE SHUT-OFF LOCATED AT THE MAIN. COPPER TUBING SHALL BE CONTINUOUS WITH NO COUPLINGS BETWEEN THE CORPORATION STOP AND THE CURB STOP.  
3. IN GENERAL, ALL EXISTING SERVICES THAT ARE CONSTRUCTED OF MATERIALS OTHER THAN COPPER TUBING BETWEEN THE CURB STOP AND METER SHALL BE REPLACED UNLESS DIRECTED OTHERWISE BY THE ENGINEER.  
4. TOP SECTION OF VALVE BOX WITH FLANGE SHALL BE SET AT FINISHED GRADE OVER CURB STOP COVER WHEN LOCATED WITHIN PAVED AREAS AND SIDEWALK.



**HYDRANT ASSEMBLY**

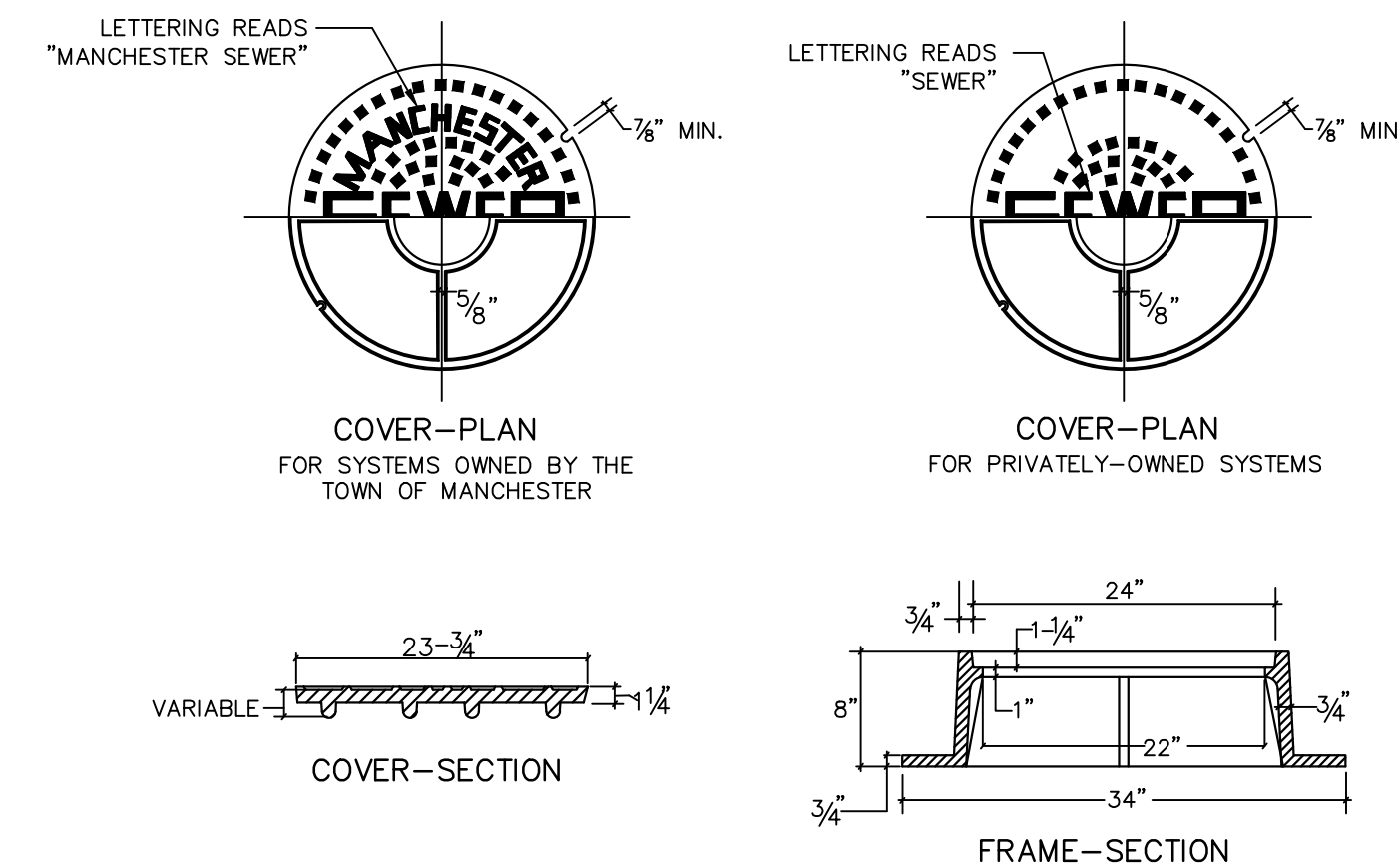
NOT TO SCALE

NOTES:  
1. TYPE "A" HYDRANT HAS NO OFFSETS OR BENDS BETWEEN THE AUXILIARY VALVE AND THE HYDRANT.  
2. THE REQUIRED TYPE SHALL BE DETERMINED IN THE FIELD BY THE ENGINEER.



**6\"/>**

NOT TO SCALE



**SANITARY SEWER MANHOLE FRAME AND COVER**

NOT TO SCALE

NOTES:  
1. MANHOLE FRAMES AND COVERS SHALL BE THE MODEL AND MANUFACTURER LISTED IN THE CONTRACT SPECIFICATIONS.  
2. BOLTS FOR BOLTED COVERS SHALL BE 1/2" STAINLESS STEEL.



TOWN OF MANCHESTER  
PUBLIC WORKS DEPARTMENT  
ENGINEERING DIVISION  
494 MAIN STREET - P.O. BOX 191  
MANCHESTER, CT 06045-0191

LEGEND

—	WETLAND BOUNDARY	☆	LIGHT POLE
—	RETAINING WALL	⊗	CONIFEROUS TREE
—	GRASS WALL	⊗	DECIDUOUS TREE
—	STONE WALL	⊗	SANITARY MANHOLE
—	STOCKADE FENCE	⊗	DRAINAGE MANHOLE
—	WIRE FENCE	⊗	CATCH BASIN
—	CHAIN LINK FENCE	⊗	CULVERT END
—	PROPERTY LINE	⊗	HYDRANT
—	RAILROAD TRACKS	⊗	CURB STOP
—	SILT FENCE	⊗	WATER VALVE
—	CONCRETE MONUMENT	⊗	BUTTERFLY VALVE
—	GRANITE MONUMENT	⊗	BLOW OFF
—	IRON PIPE	⊗	SIGN
—	IRON ROD	⊗	DOUBLE POST SIGN
—	CONTROL POINT	⊗	MAIL BOX
—	DRILL HOLE	⊗	ROLLBAR
—	UTILITY POLE	⊗	CONTROLLER CABINET
—	UTILITY POLE WITH LIGHT	⊗	GAS GATE
—	ELECTRIC BOX	⊗	TELEPHONE BOX
—	WETLAND FLAG	⊗	CATV TUBE

PROJECT NUMBER  
2020109

FILENAME  
2020109-DETAILS.DWG

NO.	DATE	FILE
—	06/14/22	FOR BIDDING

DRAWN BY: JL  
CHECKED BY: KT  
RELEASED BY: PK

DATUM  
HORIZONTAL: NAD83 VERTICAL: NAVD88

PROJECT LOCATION  
BOULDER RD WARANOKE RD  
RICHARD RD ADELAIDE RD  
ELWOOD RD JEAN RD  
ROBERT RD STEEP HOLLOW LN  
RAYMOND RD

PROJECT TITLE  
**ROBERT ROAD NEIGHBORHOOD IMPROVEMENTS**

SHEET TITLE  
**DETAILS**

SHEET NUMBER  
**24 of 27**





TOWN OF MANCHESTER  
PUBLIC WORKS DEPARTMENT  
ENGINEERING DIVISION  
494 MAIN STREET - P.O. BOX 191  
MANCHESTER, CT 06045-0191

LEGEND

—	WETLAND BOUNDARY	☆	LIGHT POLE
—	RETAINING WALL	⊗	CONIFEROUS TREE
—	SIDE WALL	⊙	DECIDUOUS TREE
—	STONE WALL	⊕	SANITARY MANHOLE
—	STOCKADE FENCE	⊖	DRAINAGE MANHOLE
—	WIRE FENCE	⊗	CATCH BASIN
—	CHAIN LINK FENCE	⊕	CULVERT END
—	PROPERTY LINE	⊖	HYDRANT
—	RAILROAD TRACKS	⊗	CURB STOP
—	SILT FENCE	⊕	WATER VALVE
—	CONCRETE MONUMENT	⊖	BUTTERFLY VALVE
—	GRANITE MONUMENT	⊗	BLOW OFF
—	IRON PIPE	⊕	SIGN
—	IRON ROD	⊖	DOUBLE POST SIGN
—	CONTROL POINT	⊗	MAIL BOX
—	DRILL HOLE	⊕	ROLLBAR
—	UTILITY POLE	⊖	CONTROLLER CABINET
—	UTILITY POLE WITH LIGHT	⊗	GAS GATE
—	TRAFFIC SPAN POLE	⊕	TELEPHONE BOX
—	ELECTRIC BOX	⊖	WETLAND FLAG
—	WETLAND FLAG	⊗	CATV TUBE

PROJECT NUMBER  
2020109

FILENAME  
2020109-DETAILS.DWG

NO.	DATE	FILE
—	06/14/22	FOR BIDDING

DRAWN BY: JL  
CHECKED BY: KT  
RELEASED BY: PK

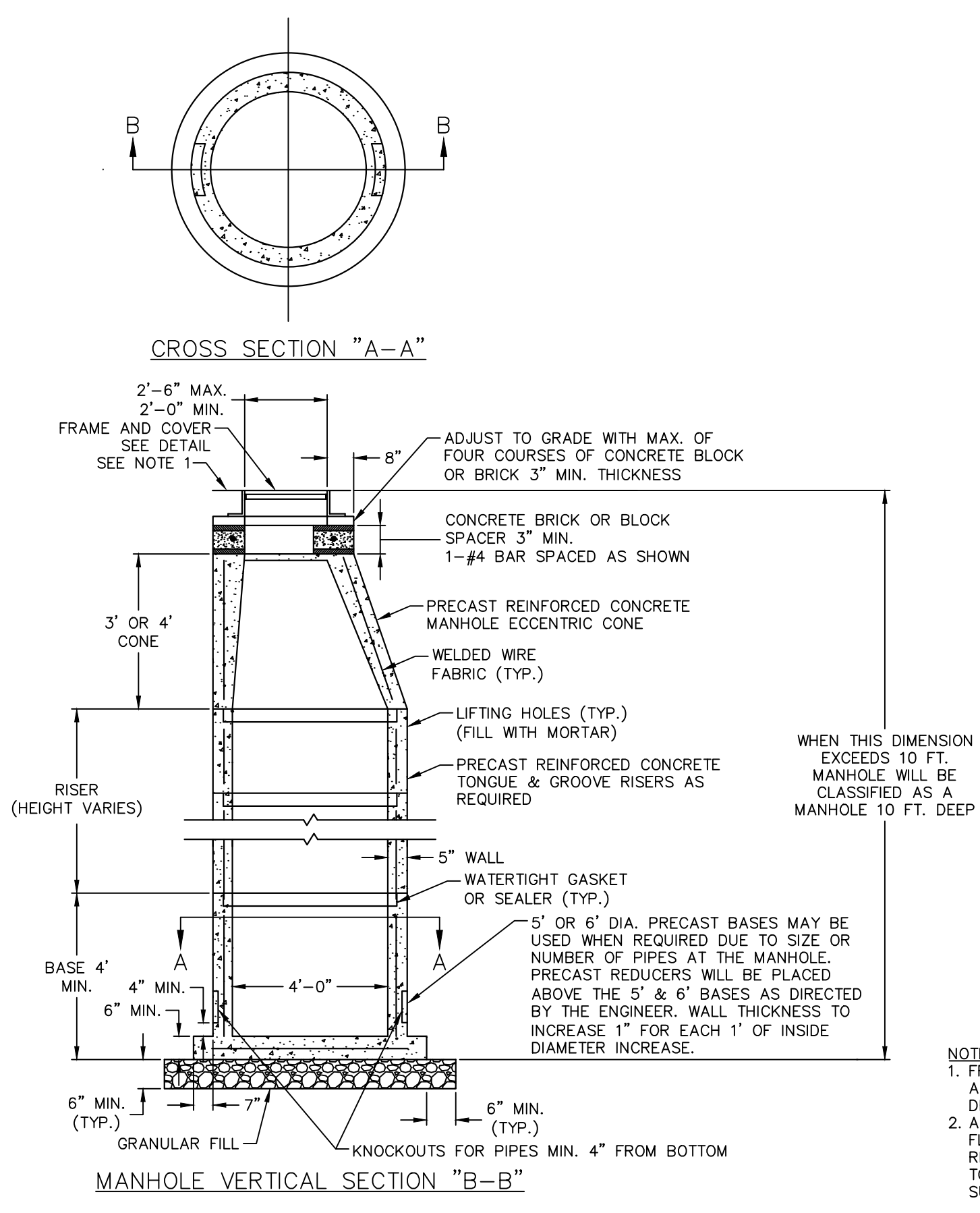
DATUM  
HORIZONTAL: NAD83 VERTICAL: NAVD88

PROJECT LOCATION  
BOULDER RD  
RICHARD RD  
ELWOOD RD  
ROBERT RD  
RAYMOND RD  
WARANOKE RD  
ADELAIDE RD  
JEAN RD  
STEEP HOLLOW LN

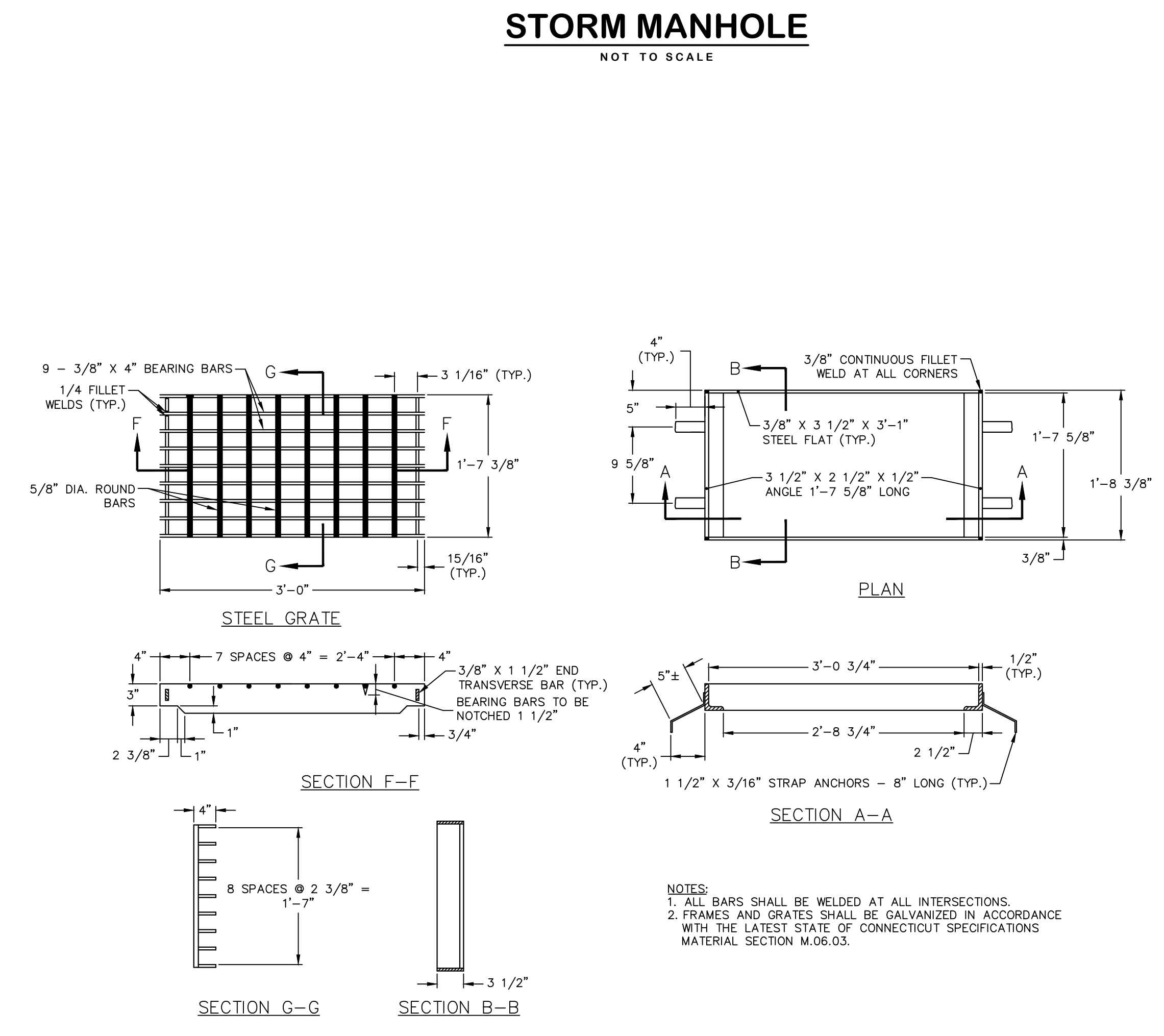
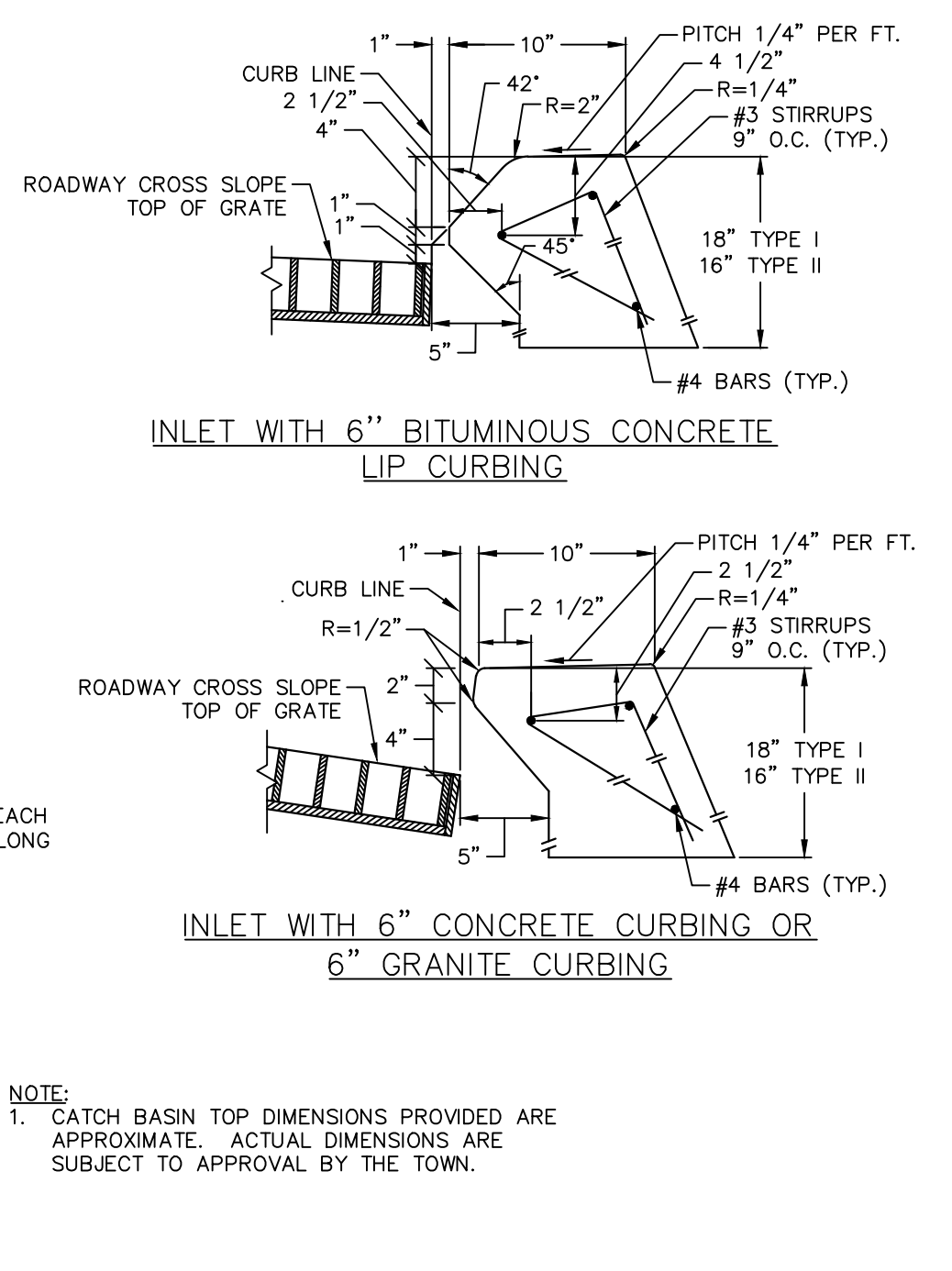
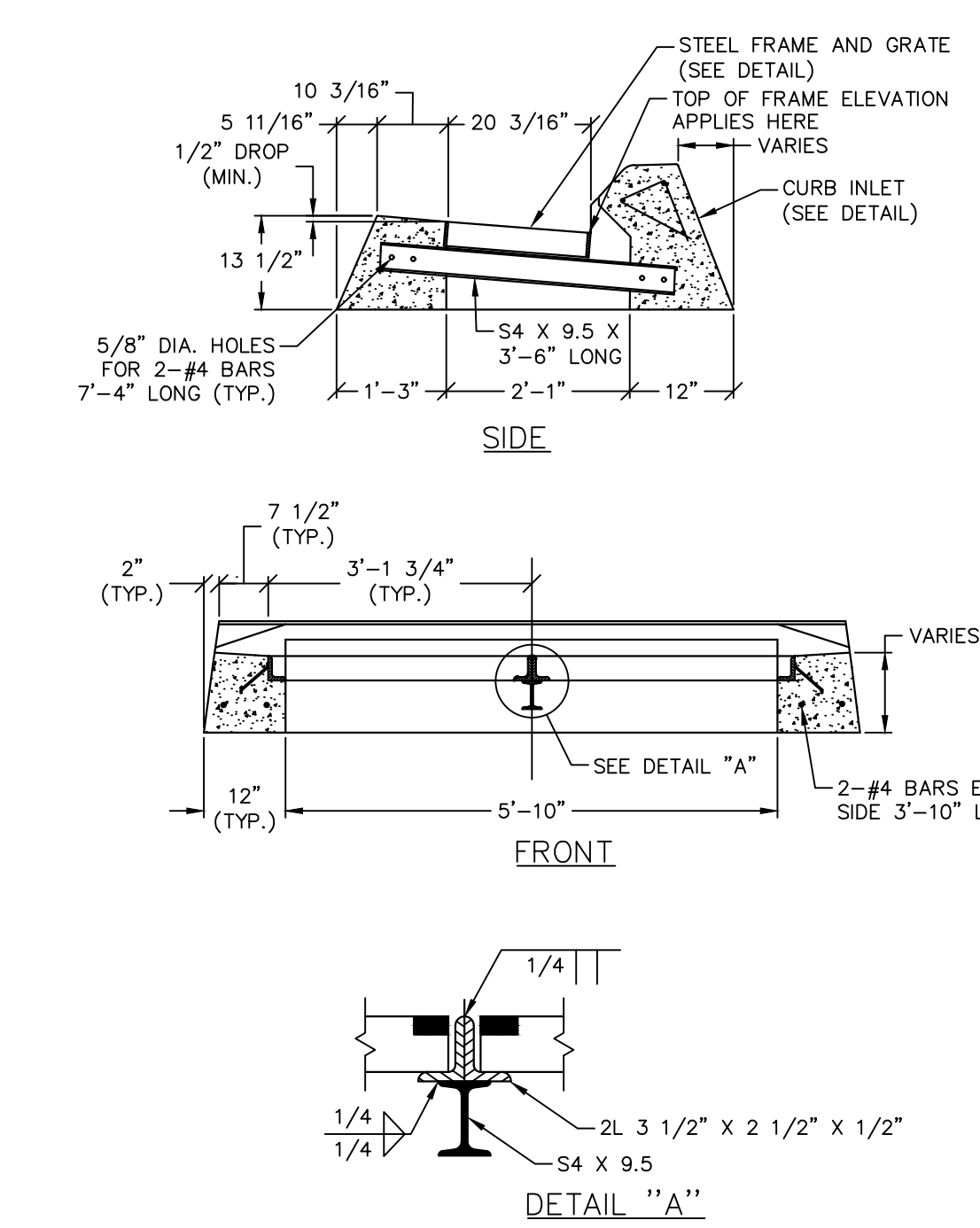
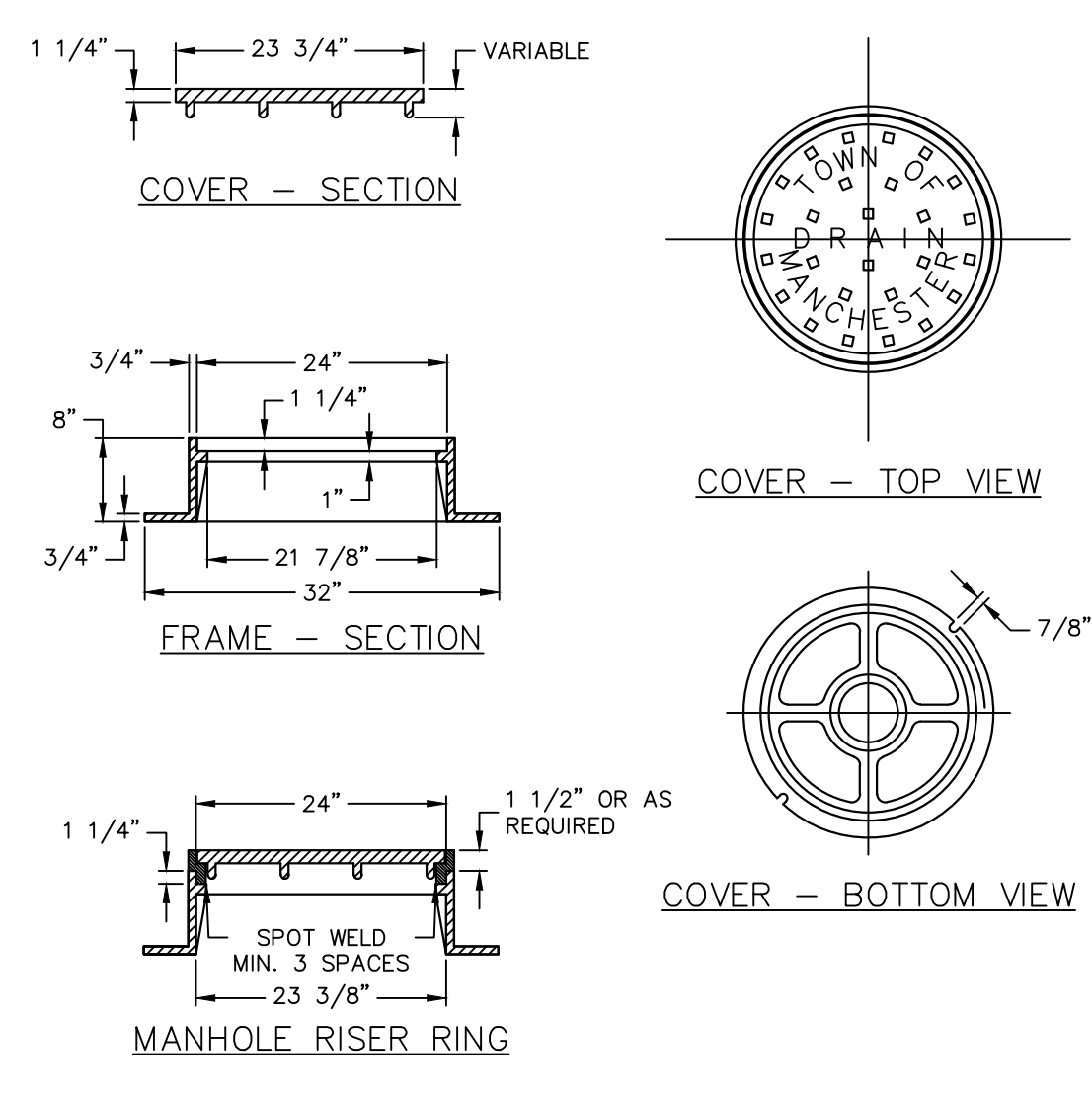
PROJECT TITLE  
**ROBERT ROAD  
NEIGHBORHOOD  
IMPROVEMENTS**

SHEET TITLE  
**DETAILS**

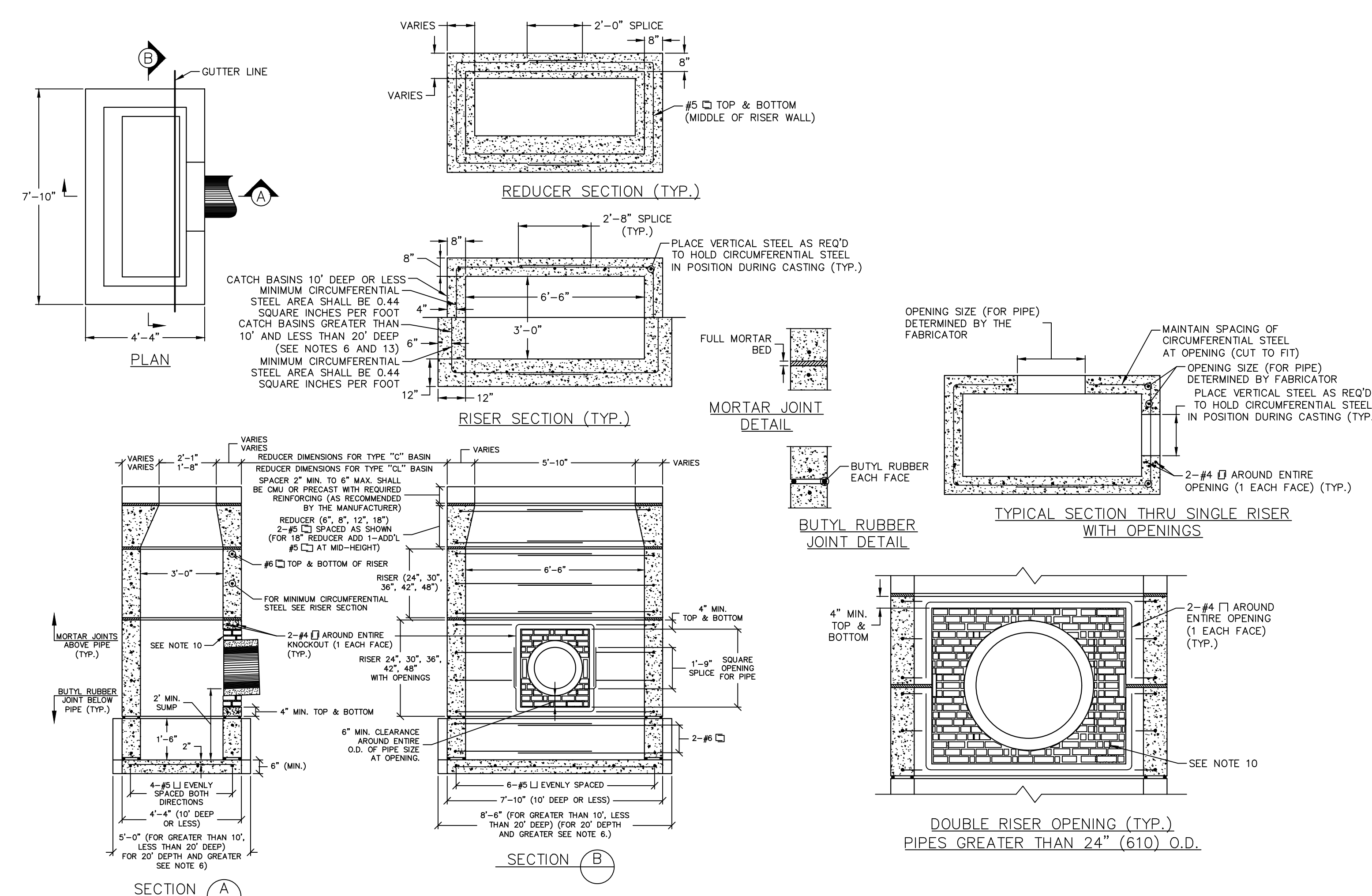
SHEET NUMBER  
**25 of 27**



**STORM MANHOLE**  
NOT TO SCALE



**STEEL FRAME AND GRATE**  
NOT TO SCALE



**TYPE "C" AND "C-L" DOUBLE GRATE TYPE II CATCH BASIN**  
NOT TO SCALE



